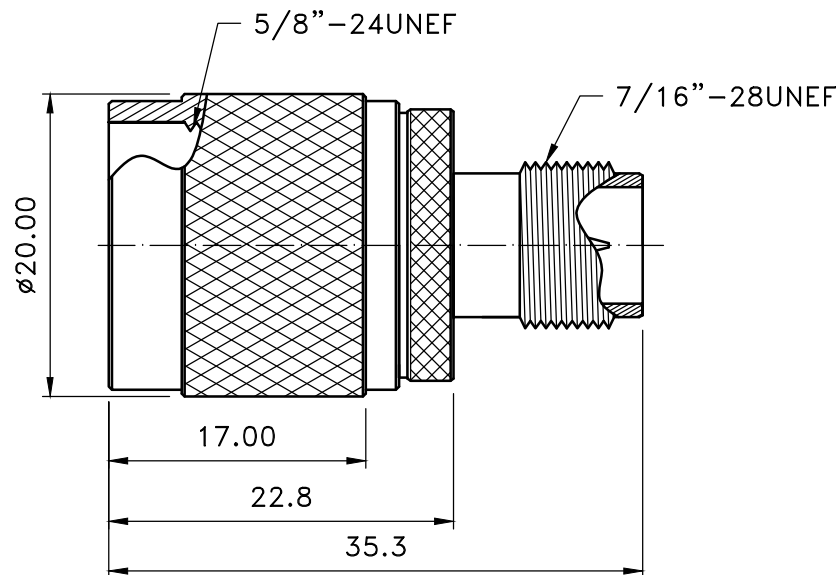


REV	DATE	DESCRIPTION	DRAWN
△	04/29/10	已校正	



7	GASKET	SI-RUBBER	ORANGE	1
6	RETAINING RING	BRASS	NICKEL	1
5	GROUND RING	BRASS	NICKEL	1
4	SHELL	BRASS	NICKEL	1
3	DIELECTRIC	PTFE	NONE	1
2	PIN	BRASS	GOLD	1
1	BODY	BRASS	NICKEL	1
NO	DESCRIPTION	MATERIAL	FINISH	Q'ty



NOTE	DIMENSION
1. STRIP ALL BURRS.	UNLESS OTHERWISE NOTED TOLERANCES $X = \pm 0.3$ $0.X = \pm 0.2$ $0.XX = \pm 0.1$
2. ALL DIMENSIONS ARE AFTER PLATING.	
3. DIAMETERS ON COMMON CENTERS.	
4. CHAMFER 1ST & LAST THREADS 45°.	
5. BREAK ALL CONNERS & EDGES CO.15 MAX.	

ADAP-NPLG-RTNCSKT		
TITLE N MALE TO RP TNC FEMALE		
DRAWING NO. N-1133-3-RP-TGN		
APPROVED	DRAWN DATE 04/29/10	
CHECKED	SCALE 2:1	
DRAWN ALICE	UNIT mm	GL