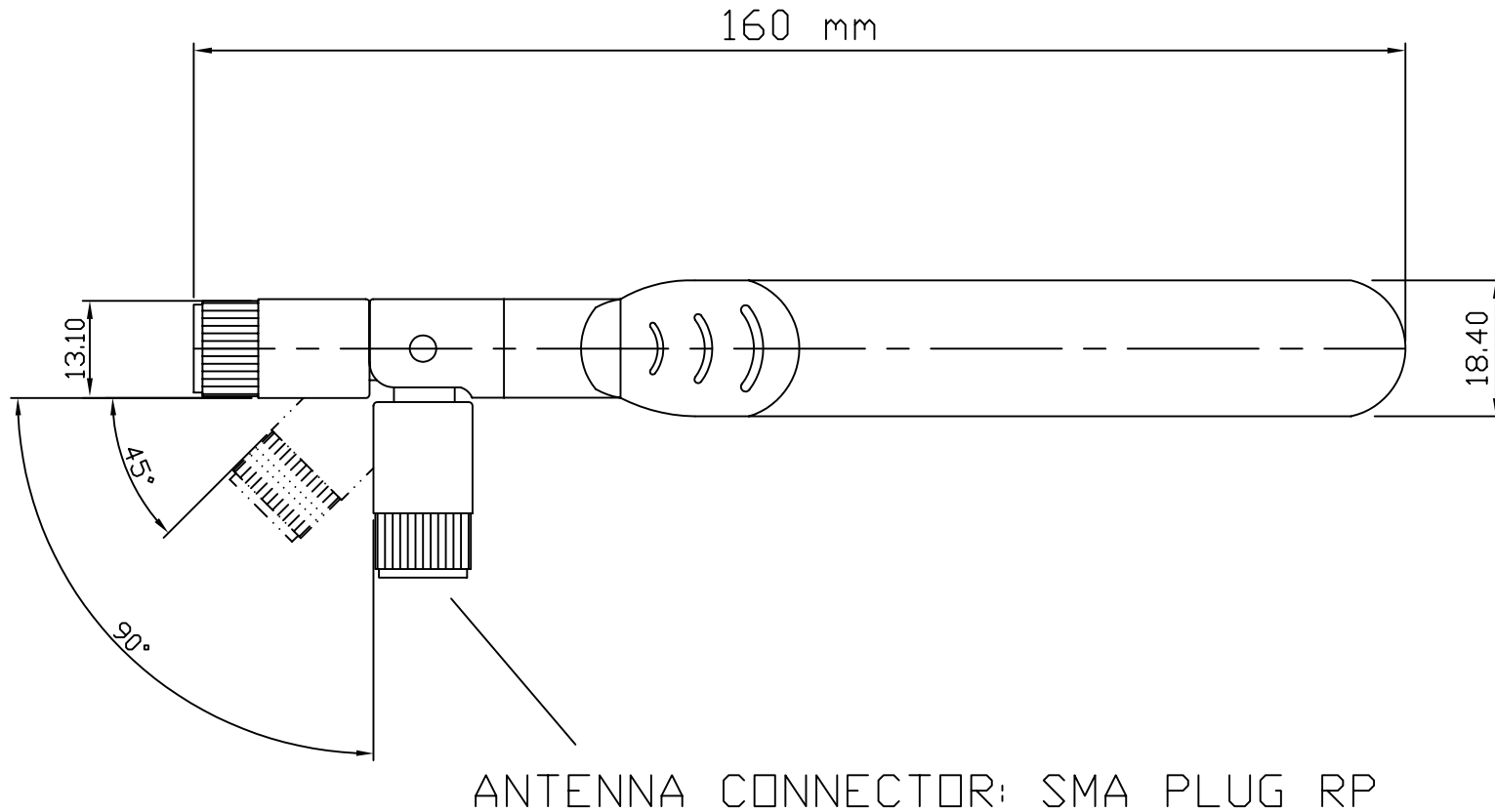


DA-5158-11-SMR

FLAT TYPE 5.1-5.8GHz DIPOLE 5 dBi ANTENNA FOR SMA PLUG RP



1	FREQUENCY : 5100-5800 MHz	6	IMPEDANCE : 50 $\Omega$
2	GAIN : 5 dBi	7	
3	V.S.W.R : $\leq 1.9:1$	8	
4	LENGTH : L160xW18.4xH13.1 mm	9	
5	CONNECTOR : SMA PLUG RP	10	