

WLAN-A0038

Packing Check List

Item	Description	Quantity
1.	WLAN-A0038	
1.1	WLAN-A0038 antenna plate fitted in enclosure, lightning earth protection on mounting bracket	1
2.	Electronics mounting kit	
2.1	No.6 x16mm self- tapping screws – ss.	9
2.2	No.6 x 9.5mm- self tapping screws – ss	4
2.3	Plastic stand-off pillars with adhesive tape.	4
3.	Cast bracket components	
3.1	Cast U-shape.	1
3.2	M6 X 60mm U-bolt –ss.	2
3.3	Cast connector rod.	1
3.4	Cast square base.	1
4.	Bracket mounting kit	
4.1	M6 washers -ss.	10
4.2	M6 nylock nut-ss.	2
4.3	M6x12mm hex bolt-ss.	1
4.4	M6x16mm hex bolt – ss.	5
4.5	M6 nuts-ss	4
5.	Ethernet gland components	
5.1	Rubber seal barrel.	1
5.2	Main body with back housing.	1
5.3	Rubber flat seal.	1
5.4	Rubber conical seal.	1
5.5	Plastic wrench.	1

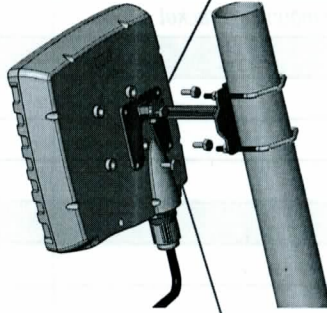
Installation Instructions

Pole Mounting

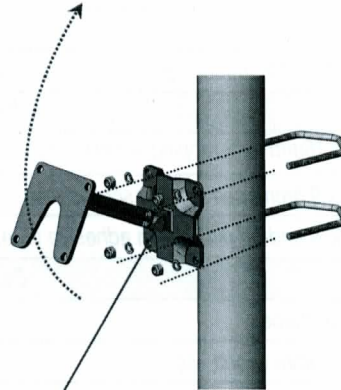
1. Attach the cast U-shape (3.1) bracket component to the antenna by means of four M6 washers (4.1), three M6 x16mm hex bolts (4.4) and one M6x12mm hex bolt (4.3)-which goes into a point marked earthing point.
2. Use two M6 x 16mm hex bolts (4.4), two M6 nylock nuts (4.2),two M6 washers(4.1) to attach Cast-U-shape (3.1) and Cast square (3.4) on two opposite ends of the Cast connector rod (3.3).
3. Attach the assembly to a mast (diameter 32 ~50mm) using the Cast square base (3.4),two U-bolts(3.2),four washers(3.1) and four M6 nuts(4.5) as shown on figure below.
4. Point the antenna in the desired orientation by swivel adjustment of azimuth and/or elevation in two points shown on figure below.
5. Do not overtighten the nuts/bolts onto the bracket componets in all places.

Pole mounting

Change azimuth span of antenna here



Earthing point



Change the the elevation span of antenna here

Installing CAT-5 cable

