

## WLAN-A0042

### Packing Check List

Item	Description	Quantity
<i>WLAN-A0042 (standard version)</i>		
1.	WLAN-A0042 enclosure with integrated 23dBi antenna	1
2.	Stand-off pillars	6
3.	M6 x 16mm Bolt – SS	4
4.	M6 external star washer – SS	4
5.	No.6 x 9.5mm - Self Tapping Screws – Galv.	6
6.	M4 - Washers, Flat SS (Inside enclosure)	6
8.	Ethernet gland with accessories	1
<i>Universal Bracket Kit BRKT-009</i>		
9.	Universal Bracket (Aluminium)	1
10.	M6 x 90mm U-Bolt SS	1
11.	Econo bracket	1
12.	M6 Flat Washer SS	4
13.	M6 Nut SS	4

### Installation Instructions

#### Installing Electronics

1. Unscrew the back of the enclosure and carefully lift off the lid containing the integrated antenna (refer to figure 1).
2. Use the provided screws and washers (items 5 and 6) to secure the stand-off pillars to the electronics you wish to install. Be sure that the height of electronics and pillars does not exceed 40mm (refer to figure 2).
3. Peel off the adhesive backing paper from the base of the pillars and secure the pillars to the back of the lid (refer to figure 3). Ensure that the electronics is located such that the antenna cable can be connected easily.
4. Connect the antenna to the electronics either directly with the SMA(f) connector or by means of an adaptor cable (not provided) as necessary (refer to figure 4).

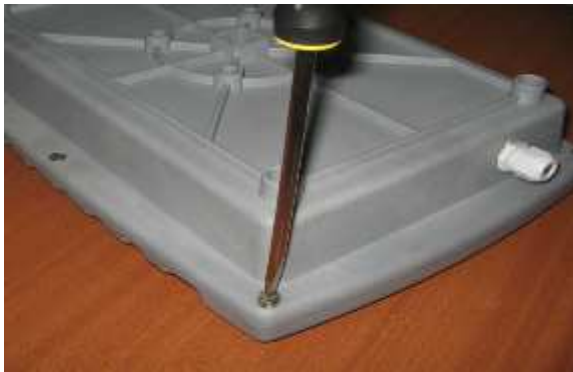


Figure 1. Unscrew enclosure.

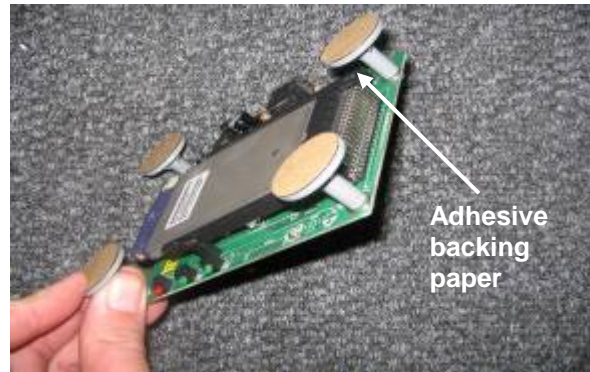


Figure 2. Secure the stand-off pillars.

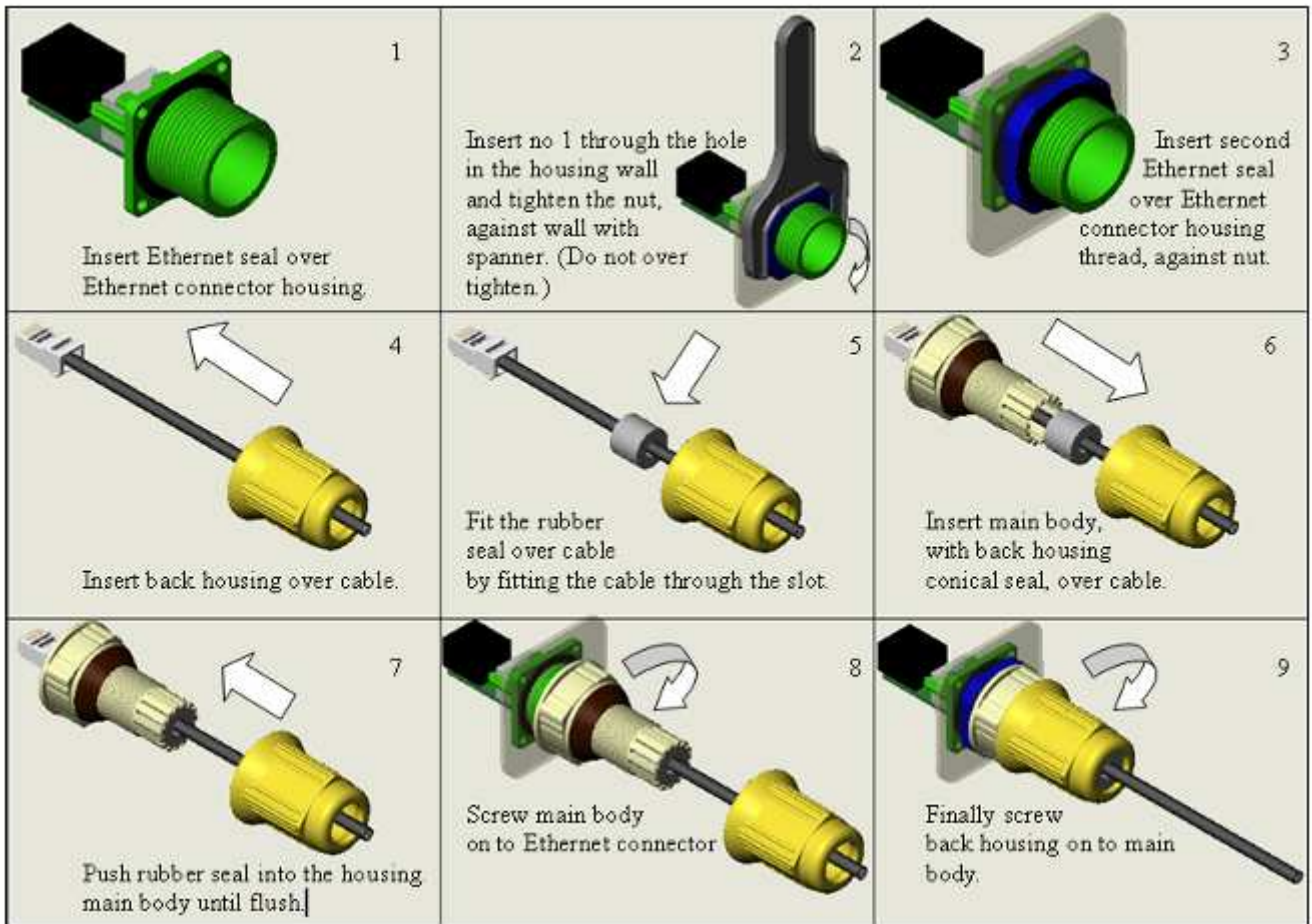


Figure 3. Attach electronics to back of lid



Figure 4. Connect the antenna to the electronics

### Installing CAT-5 cable



### Mounting the enclosure

1. The enclosure can be mounted for either vertical or horizontal polarisation. Refer to polarisation sticker on the back of the enclosure.
2. Attach the L bracket to the antenna by means of the four M6 x 16mm bolts provided. The figure 6 illustrates this for vertical polarisation.
3. Attach the enclosure to a mast (diameter 40-50mm) using the Econo-bracket assembly as shown in figure 6.
4. The Econo-bracket can be mounted through different holes to achieve the desired tilt angle of the antenna. (see figure 7).

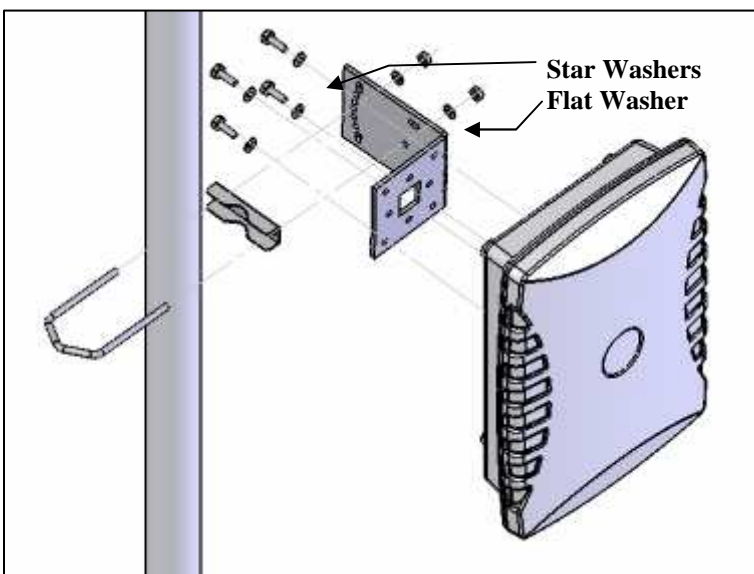


Figure 6. Mast mounting

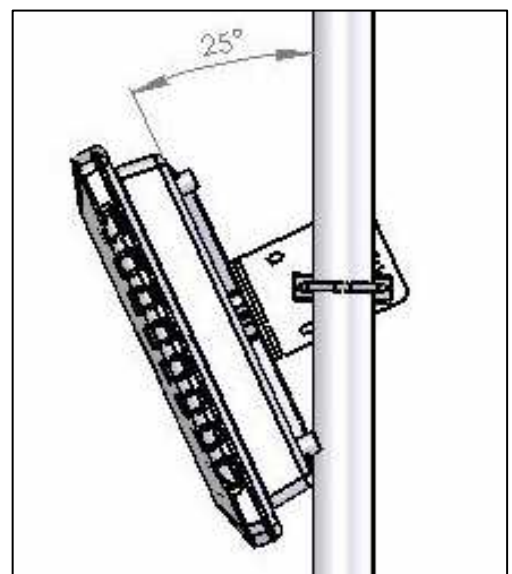


Figure 7. Setting tilt angle