



1.7-2.2 GHz Window Antenna

Operating Frequency: 1.7 - 2.2 GHz

Product code: PANL-A0038



PANL-A0038 is a directional antenna for indoor or outdoor use. It is equipped with a universal ball bracket for easy azimuth and elevation adjustment and can be mounted on either the interior of a window or on an exterior wall. The antenna is provided with a 5m cable with SMA (male) connector for fitment to devices using the SMA (female) connector.

Features:

- 10dBi 1.7 to 2.2GHz antenna
- Easily adjustable ball mounting bracket
- Suction pads for window mounting

Application areas:

- GSM1800
- GSM1900
- UMTS
- iBurst



Specifications:

Product Code:

PANL-A0038 10dBi 1.7 to 2.2 GHz with 5m Low loss cable with SMA(m) connector

Electrical specifications

Frequency	1700–2200 MHz
Gain (max)*	11.5 dBi (+/-0.5 dB)
Gain (min over the band)*	8.5 dBi (+/-0.5 dB)
VSWR	2.0:1 (max)
Elevation 3 dB beamwidth	38° (± 5°)
Azimuth 3 dB beamwidth	54° (± 5°)
Feed power handling	6 W
Nominal input impedance	50 Ohm
Polarisation	Linear (Vertical or Horizontal)

Materials compliance RoHS

Environmental:

Flammability	UL 94 Class HB
Wind operation	<120 km/h
Temperature Range	- 40°C to +70°C
Mechanical Shock	ETSI 300 019-2-4 V2.2.2 T4.1E
Vibration	ETSI 300 019-2-4 V2.2.2 T4.1E
Solar radiation	IEC 68-2-5, MIL-STD-810
Humidity	95% condensation, (IEC 60068)
Water Ingress Rating	IP65 (NEMA 4X)
Salt spray	ETSI 300 019-2-4

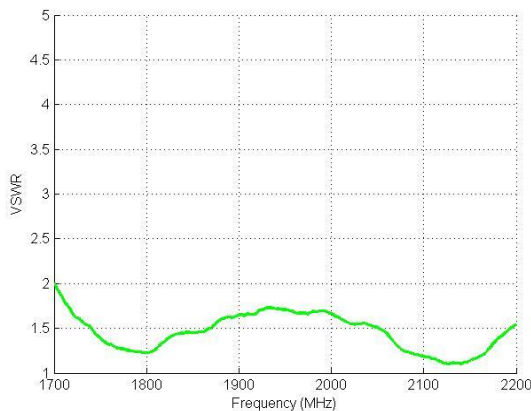
Mechanical:

Package dimensions	350mm x 200mm x 80mm
Packaged weight	0.90 kg
Deployed dimensions	360mm x 185mm x 135mm
Colour	Pantone Cool Grey 1C
Mounting	Ball-jointed bracket for wall or window mounting

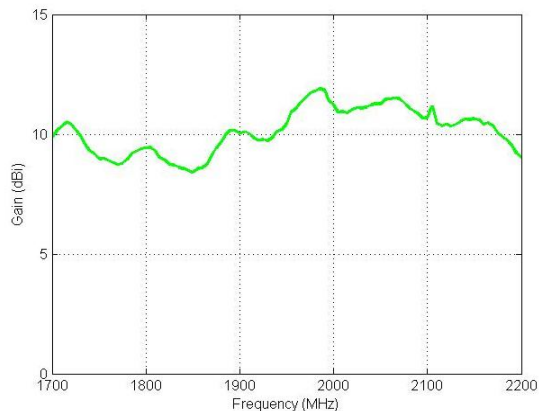
* Gain data excludes the loss in the low-loss cable

VSWR and Gain

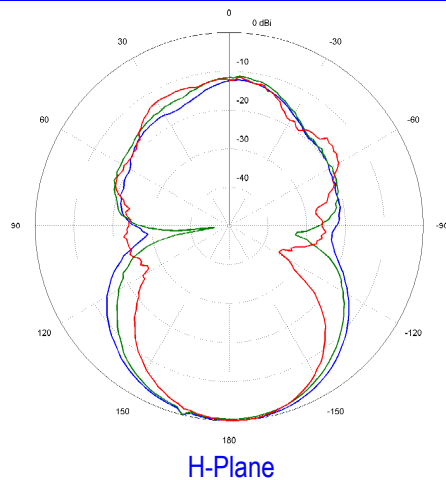
Measured VSWR*



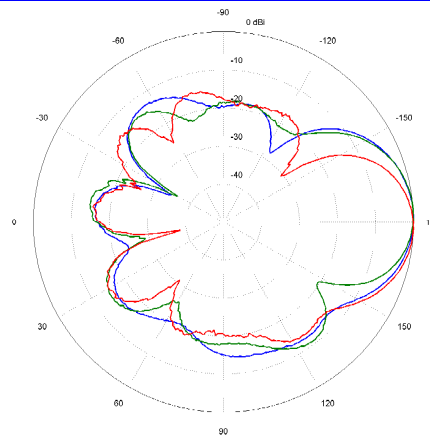
Measured Gain



Radiation Patterns



H-Plane

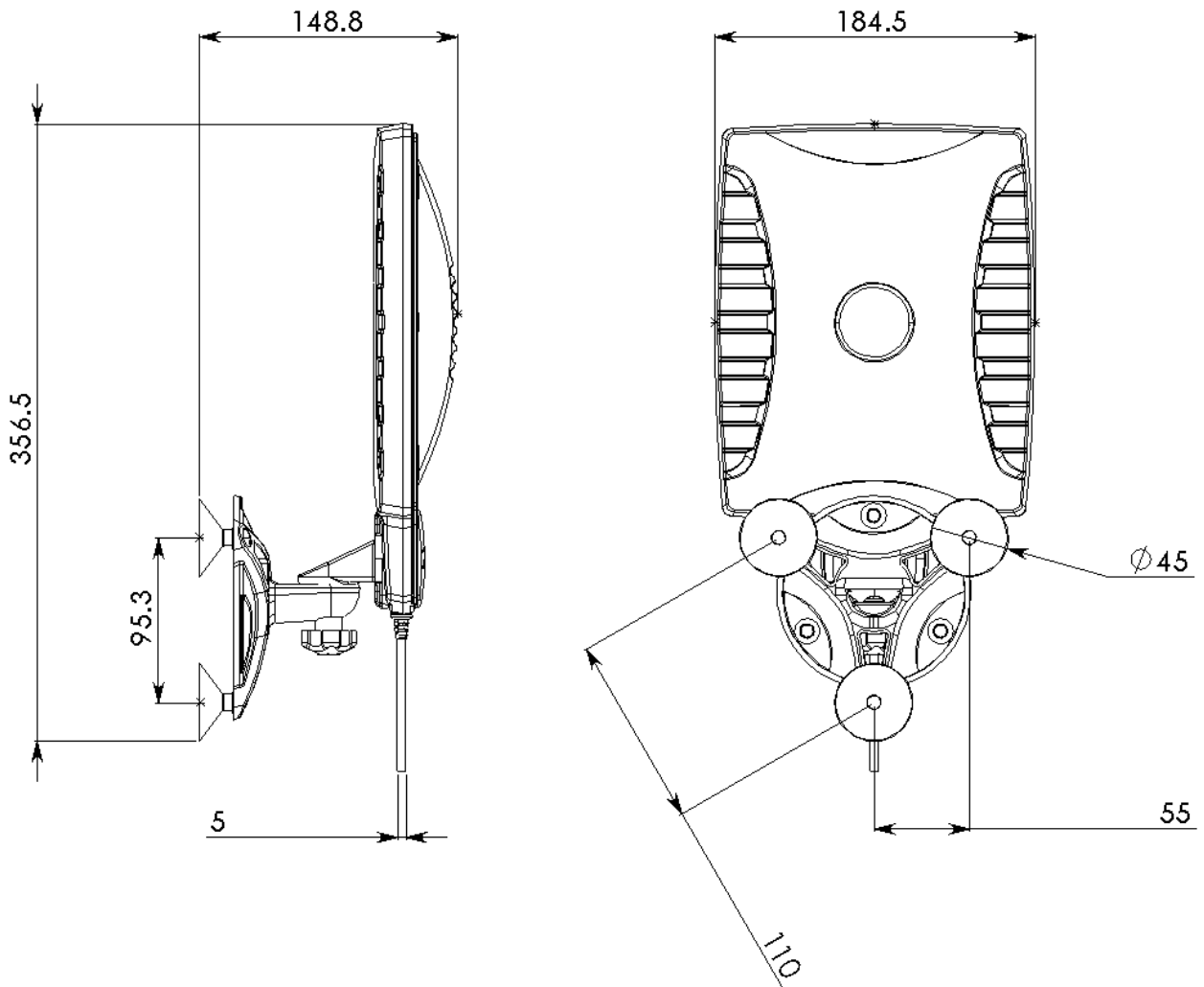


E-Plane

Legend: -1710MHz -1880MHz -2170MHz



Mechanical Drawings



All dimensions in mm