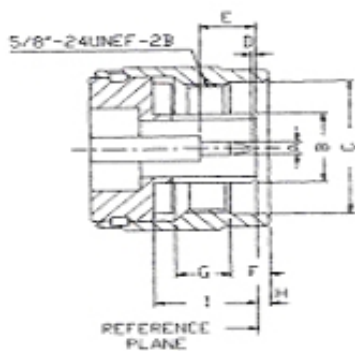




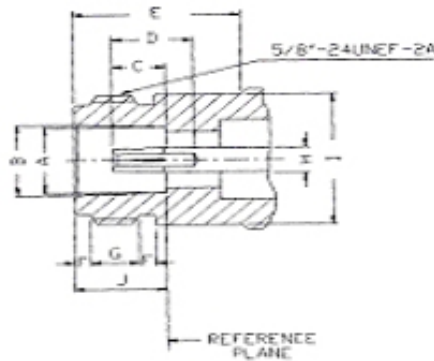
N Series coaxial connectors are medium-sized, threaded coupling connectors designed for use from DC to 11 GHz. Their consistently low broadband VSWR have made them popular over the years in many applications. The N series connector is impedance matched to 50 ohm cables.

Cable terminations are available in crimp, clamp and solder configurations. The threaded coupling ensures proper mating in applications where shock and extreme vibration are design considerations. N connectors are used in aerospace, broadcast audio and video applications as well as many microwave components such as filter, couplers, dividers, amplifiers and attenuators.

• **Interface Dimensions**



**PLUG**



**SOCKET**

Letter	Millimeters(Inches)	
	Minimum	Maximum
A	1.60(.063)	1.68(.066)
B	—	8.38(.330)
C	16.00(.630)	—
D	0.08(.003)	—
E	5.33(.210)	5.84(.230)
F	4.01(.158)	4.27(.168)
G	4.50(.177)	—
H	0.41(.016)	1.52(.060)
I	10.11(.398)	10.46(.412)

Letter	Millimeters(Inches)	
	Minimum	Maximum
A	8.03(.316)	8.13(.320)
B	8.53(.336)	8.74(.344)
C	4.75(.187)	5.26(.207)
D	5.33(.210)	—
E	10.72(.422)	—
F	1.19(.047)	1.96(.077)
G	4.37(.172)	5.13(.202)
H	3.00(.118)	3.15(.124)
I	—	15.93(.627)
J	9.04(.356)	9.19(.362)

## Electrical:

Impedance	50 ohm
Frequency Range	0 to 11.0 GHz
VSWR	Straight : 1.3 max ; Right Angle : 1.5 max
Working Voltage	1,000 volts rms max at sea level
Dielectric Withstanding Voltage	2,500 volts rms max at sea level
Contact Resistance	center contact=1.0 Milliohms max
	outer contact=1.0 Milliohms max
Insertion Loss	0.3 dB max at 10 GHz, 0.2dB at 5GHz
Insulation Resistance	5,000 Megohms min

## Mechanical & Environmental:

Mating	5/8"-24 threaded coupling
Cable Retention	HDF200 →40 lbs min
	HDF400 →80 lbs min
Durability	500 matings
Coupling Nut Retention	100 lbs min
Temperature Range	-65°C to 165°C
Vibration	MIL-STD-202 Method 204 Test Cond. B.
Salt Spray	MIL-STD-202 Method 101 Test Cond. B.
Thermal shock	MIL-STD-202 Method 107 Test Cond. B.

## Materials / Finish:

	Material	Plating
Connector Body	Brass	Nickel or Silver
Center Contact	Male:Brass Female:Brass,Phosphor Bronze or Beryllium Copper	Gold Gold
Insulation	Teflon	None
Gasket	Silicone Rubber, Rubber	None
Crimp Ferule	Annealed Copper	Same as Body