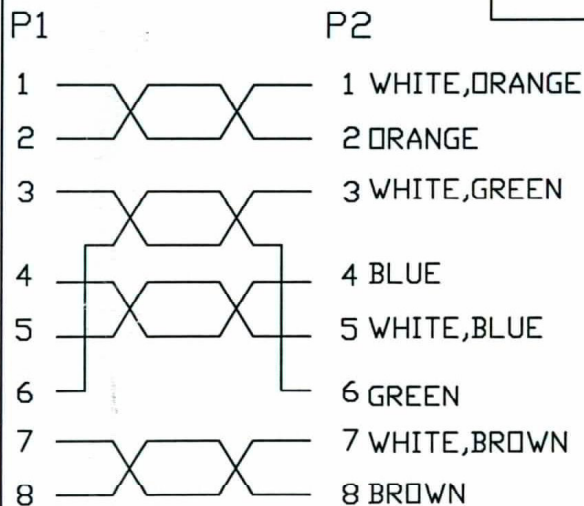


PIN ASSEMBLY

NETPATCH0.3	Q284-015-240_0.3M	300MM±15
NETPATCH0.5	Q284-015-240_0.5M	500MM±15



NOTES:

- 1.CABLE: CAT5E STP COLOR:(Red, Blue, Green, White, Black)
- 2.RJ45 PLUG PLATED 3u"
- 3.PVC MOLDED COLOR:(Red, Blue, Green, White, Black)

UNLESS OTHERWISE SPECIFIED TOLERANCE		
ANG.	±5°	
0.	±0.5	
.0	±0.3	
.00	±0.2	
SCALE: NONE	UNIT: mm	
DRAWN SHIGANG	08/03/03	DRAWN NAME:
CHECKED Eric	08/03/03	利優Q284-015-240_L
APPROVED	/ /	PRODUCT NO.
	SIZE A4	REV. A
		FILE NAME:

A	CABLE: RJ45 PLUG*2	08/03/03
REV.	DESCRIPTION	DATE