

Radio module



WLM200N2-26 MINIPCI

2 x 2 802.11N 2.4GHz Single-band MIMO miniPCI

Features

- Atheros XSPAN family chipset
- 2.4GHz IEEE 802.11n draft compliant and backward compatible with 802.11b/g
- 2.4GHz single-band 2x2 MIMO spatial multiplexing technique
- Maximum 26dBm output (per antenna port) - 29dBm aggregate
- Supports up to 300Mbps physical data rates
- Delivers 10 times the throughput and nearly twice the range of legacy 802.11b/g network
- Transmission Power Control (IEEE 802.11h TPC)
- Multi-Country Roaming Supported (IEEE802.11d Global Harmonization Standard)
- 2 x MMCX Antenna Connectors

TECHNICAL SPECIFICATIONS											
Chipset	AR9223										
Host Interface	PCI Interface v2.3 (Type III-A Mini PCI form factor)										
Operating Voltage	3.3 VDC										
Power Consumption [2T2R]	11b Cont. Tx@5.5M	5 W									
	11g Cont. Tx@6M	5W									
	11ng Cont. Tx@HT20 MCS0	4.5W									
	11ng Cont. Tx@HT40 MCS0	4W									
	11g Cont. Rx	1W									
	Standby	0.7W									
Antenna Connector	2 x MMCX										
Standards	IEEE 802.11b:	11Mbps	5.5Mbps	2Mbps	1Mbps						
	IEEE 802.11g:	54Mbps	48Mbps	36Mbps	24Mbps	18Mbps	12Mbps	9Mbps	6Mbps		
		Automatically fallback to 5.5Mbps, 2Mbps, 1Mbps									
	IEEE 802.11n:	20MHz	1Nss: 65Mbps @ 800GI, 72.2Mbps @ 400GI (Max.)								
			2Nss: 130Mbps @ 800GI, 144.4Mbps @ 400GI (Max.)								
40MHz		1Nss: 135Mbps @ 800GI, 150Mbps @ 400GI (Max.)									
		2Nss: 270Mbps @ 800GI, 300Mbps @ 400GI (Max.)									
Frequency Range	IEEE 802.11b/g	2.412GHz ~ 2.462GHz (US & Canada)									
		2.412GHz ~ 2.472GHz (Europe)									
		2.412GHz ~ 2.484GHz (Japan)									
Modulation Techniques	OFDM: BPSK, QPSK, 16-QAM, 64-QAM DSSS: DBPSK, DQPSK, CCK										
Radio & EMC Certificate	FCC Part 15.247 (2.400 ~ 2.4835GHz), FCC CFR Title 47 Part 15 Subpart C: Section 15.207 FCC CFR Title 47 Part 15 Subpart C: Section 15.209 FCC CFR Title 47 Part 15 Subpart C: 15.215(c) FCC CFR Title 47 Part 15 Subpart B: Class B ANSI C63.4 FCC OET 65 Limited module level approval ETSI, EN 300 328, EN 301 489-1/17, EN 50392, EN 55022, EN 55024, EN 61000-3-2/3, EN 61000-4-3/4/5/6/11										
RoHS Compliance	Yes										
Environment Specifications	Operating: -20°C to 70°C Storage: -40°C to 90°C										
Humidity	5% to 95% (non-condensing)										
Dimension	59.6 x 51 x 9 mm										

WLM200N2-26 MIMO MINIPCI CARD RADIO

TX SPECIFICATIONS

	DataRate	TX Power (per chain)	TX Power (2 chains)	Tolerance		DataRate	TX Power (per chain)	TX Power (2 chains)	Tolerance
802.11b	11Mbps	26dBm	29dBm	±2dB	802.11g	6-24Mbps	26dBm	29dBm	±2dB
	5.5Mbps	26dBm	29dBm	±2dB		36Mbps	26dBm	29dBm	±2dB
	2Mbps	26dBm	29dBm	±2dB		48Mbps	22dBm	25dBm	±2dB
	1Mbps	26dBm	29dBm	±2dB		54Mbps	21dBm	24dBm	±2dB
	DataRate	TX Power (per chain)	TX Power (2 chains)	Tolerance		DataRate	TX Power (per chain)	TX Power (2 chains)	Tolerance
2.4GHz 11n HT20	MCS 0/8	23dBm	26dBm	±2dB	2.4GHz 11n HT40	MCS 0/8	22dBm	25dBm	±2dB
	MCS 1/9	23dBm	26dBm	±2dB		MCS 1/9	22dBm	25dBm	±2dB
	MCS 2/10	23dBm	26dBm	±2dB		MCS 2/10	22dBm	25dBm	±2dB
	MCS 3/11	23dBm	26dBm	±2dB		MCS 3/11	22dBm	25dBm	±2dB
	MCS 4/12	23dBm	26dBm	±2dB		MCS 4/12	22dBm	25dBm	±2dB
	MCS 5/13	22dBm	25dBm	±2dB		MCS 5/13	22dBm	25dBm	±2dB
	MCS 6/14	21dBm	24dBm	±2dB		MCS 6/14	21dBm	24dBm	±2dB
	MCS 7/15	20dBm	23dBm	±2dB		MCS 7/15	20dBm	23dBm	±2dB

RX SPECIFICATIONS

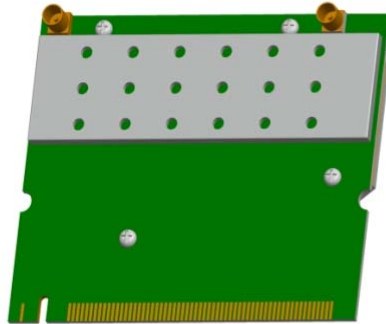
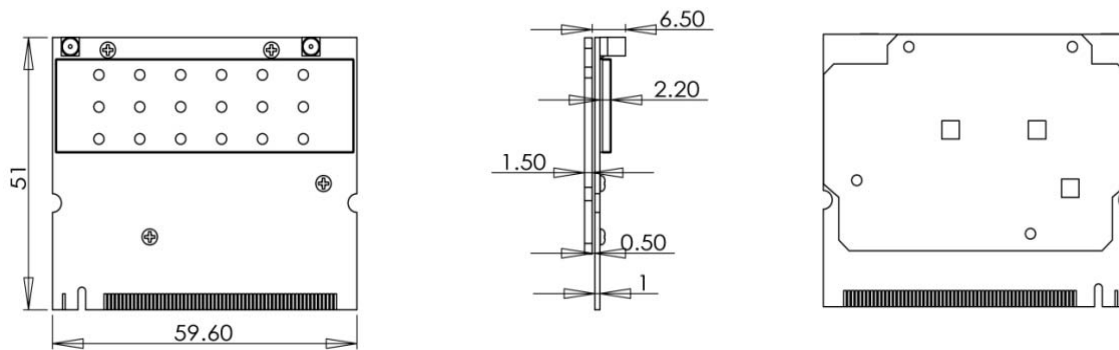
	DataRate	Sensitivity (2 chains)	Tolerance		DataRate	Sensitivity (2 chains)	Tolerance
802.11g	6 Mbps	-94dBm	±2dB	802.11b	1 Mbps	-94dBm	±2dB
	9 Mbps	-94dBm	±2dB		5.5Mbps	-94dBm	±2dB
	12 Mbps	-94dBm	±2dB		11 Mbps	-92dBm	±2dB
	18 Mbps	-92dBm	±2dB				
	24Mbps	-88dBm	±2dB				
	38Mbps	-82dBm	±2dB				
	48Mbps	-76dBm	±2dB				
	54Mbps	-74dBm	±2dB				
2.4GHz 11n HT20	MCS0	-92dBm	±2dB	2.4GHz 11n HT40	MCS0	-90dBm	±2dB
	MCS1	-91dBm	±2dB		MCS1	-86dBm	±2dB
	MCS2	-89dBm	±2dB		MCS2	-85dBm	±2dB
	MCS3	-86dBm	±2dB		MCS3	-82dBm	±2dB
	MCS4	-81dBm	±2dB		MCS4	-79dBm	±2dB
	MCS5	-78dBm	±2dB		MCS5	-75dBm	±2dB
	MCS6	-76dBm	±2dB		MCS6	-74dBm	±2dB
	MCS7	-73dBm	±2dB		MCS7	-71dBm	±2dB

Ordering Information ^①

CODES	SPEED	Carton Dimension
WLM200N2-26 6AA1100	Up to 300Mbps physical data rates	For 50pcs (pcs/ctn), 0.40m * 0.22m * 0.085m / 0.006 = 1.5KG For 250pc (pcs/ctn), 0.45m * 0.45m * 0.24m / 0.006 = 8.1KG
WLM200N2-26 6AA1300	Up to 300Mbps physical data rates	

① Configurations are subjected to change without notice

Dimensions Drawing



WLM SERIES MINIPCI

b / g (2.4GHz)								a / b / g (2.4/5GHz)				
MODEL	WLM 54G-20dBm	WLM 54G-23dBm	WLM 54G-26dBm	WLM 54G-28dBm	WLM54G-30dBm	WLM200N2	WLM200N2-26dBm	WLM 54AG - 20dBm	WLM 54AG - 23dBm	WLM 54A - 26dBm	WLM200NX	WLM200N5-26
CHIPSET	AR 2413/2414 (AR5005G/GS)	AR 2413/2414 (AR5005G/GS)	AR 2413/2414 (AR5005G/GS)	AR 2413/2414 (AR5005G/GS)	AR 2413/2414 (AR5005G/GS)	AR9223	AR9223	AR 5413/5414 (AR5006X/XS)	AR 5413/5414 (AR5006X/XS)	AR5414 (AR5006XS)	AR9220	AR9220
SPEED	UP TO 54/108Mbps	UP TO 54/108Mbps	UP TO 54/108Mbps	UP TO 54/108Mbps	UP TO 54/108Mbps	UP TO 300Mbps physical data rates	UP TO 300Mbps physical data rates	UP TO 54/108Mbps	UP TO 54/108Mbps	UP TO 108Mbps	UP TO 300Mbps physical data rates	UP TO 300Mbps physical data rates
OUTPUT POWER (Average)												
802.11a								20dBm@6-24Mbps	23dBm@6-24Mbps	26dBm@6-24Mbps	20dBm@6-24Mbps	26dBm@6-24Mbps
								17dBm@36Mbps	21dBm@36Mbps	24dBm@36Mbps	17dBm@36Mbps	26dBm@36Mbps
								16dBm@48Mbps	19dBm@48Mbps	22dBm@48Mbps	16dBm@48Mbps	25dBm@48Mbps
								13dBm@54Mbps	17dBm@54Mbps	20dBm@54Mbps	13dBm@54Mbps	19dBm@54Mbps
802.11b	20dBm@1-11Mbps	23dBm@1-11Mbps	26dBm@1-11Mbps	28dBm@1-11Mbps	30dBm@1-11Mbps	20dBm@1-11Mbps	26dBm@1-11Mbps	20dBm@1-11Mbps	23dBm@1-11Mbps	-	20dBm@1-11Mbps	-
802.11g	20dBm@6-24Mbps	23dBm@6-24Mbps	26dBm@6-24Mbps	28dBm@6-24Mbps	30dBm@6-24Mbps	20dBm@6-24Mbps	26dBm@6-24Mbps	20dBm@6-24Mbps	23dBm@6-24Mbps	-	20dBm@6-24Mbps	-
	19dBm@36Mbps	22dBm@36Mbps	25dBm@36Mbps	26dBm@36Mbps	28dBm@36Mbps	19.5dBm@36Mbps	26dBm@36Mbps	18dBm@36Mbps	21dBm@36Mbps	-	18dBm@36Mbps	-
	17dBm@48Mbps	19dBm@48Mbps	24dBm@48Mbps	25dBm@48Mbps	27dBm@48Mbps	18.5dBm@48Mbps	22dBm@48Mbps	17dBm@48Mbps	19dBm@48Mbps	-	17dBm@48Mbps	-
	16dBm@54Mbps	17dBm@54Mbps	22dBm@54Mbps	23dBm@54Mbps	25dBm@54Mbps	17dBm@54Mbps	21dBm@54Mbps	15dBm@54Mbps	17dBm@54Mbps	-	15dBm@54Mbps	-
Interface	PCI Interface v2.3 (Type III-B Mini PCI Form Factor)					PCI Interface v2.3 (Type III-A Mini PCI Form Factor)		PCI Interface v2.3 (Type III-B Mini PCI Form Factor)			PCI Interface v2.3 (Type III/A Mini PCI Form Factor)	
Receiver Sensitivity	802.11g -94dBm @ 6Mbps 802.11b <-73dBm @ 54Mbps -94dBm @ 6Mbps -91dBm @ 11Mbps	802.11g -96dBm @ 6Mbps <-83dBm @ 54Mbps 802.11b -96dBm @ 6Mbps -91dBm @ 11Mbps			802.11g -96dBm @ 6Mbps <-83dBm @ 54Mbps 802.11b -96dBm @ 6Mbps -91dBm @ 11Mbps		802.11g -94dBm @ 6Mbps <-73dBm @ 54Mbps 802.11b -94dBm @ 6Mbps -91dBm @ 11Mbps 802.11a -94dBm @ 6Mbps <-73dBm @ 54Mbps	-94dBm @ 6Mbps -73dBm @ 54Mbps		Refer to datasheet	Refer to datasheet	
Operating Channels	IEEE 802.11g: 11 Channel (US & Canada) 13 Channel (Europe) 14 Channel (Japan)						IEEE 802.11a: 13 Channel (US & Canada) 19 Channel (Europe) 10 Channel (Japan)					
Input Power	3.3V DC											
Operating Temperature	-20°C to 70°C											

Compex Systems Pte Ltd

135 Joo Seng Road, PM Industrial Building #08-01,
Singapore 368363
Tel: (65) 6286 2086
Fax: (65) 6280-9947
Email: sales@compex.com.sg

Compex (Suzhou) Co Ltd

NO.12, ChuangTou Industrial Square,
LouFeng North, Suzhou Industrial Park,
Suzhou, Jiangsu Province, China 215122
Tel: (86)-512-62950050
Fax: (86)-512-62950026



Copyright © 2008 Compex Systems. All rights reserved. COMPEX and the COMPEX logo, are registered trademarks of COMPEX Inc. Atheros and other trademarks are properties of their respective owners.
While every effort is made to ensure the information accurate, Compex does not accept liability for any errors or mistakes that may arise. All specification is subject to change without notice. DS: V 2.2.2 Rocky 20110120

For more information, visit www.compex.com.sg