

2.4GHz USB PANEL Antenna 12dBi for 802.11N



SPECIFICATIONS:

Antenna Electrical Specifications

Frequency Range	2400MHz - 2484MHz
V.S.W.R	≤1.5
Return Loss	≤-14db
Gain	12dBi Antenna
Antenna Type	PCB patch
Polarization	Vertical or Horizontal
Maximum Power	50W
Vertical Beam-with	28°
Horizontal Beam-with	65°
Impedance	50Ω
Connector	USB 3m CABLE

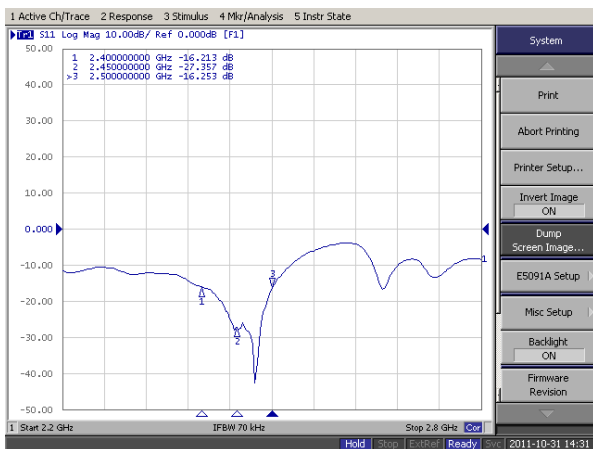
Technical Information

Standard	IEEE 802.11b/g/n
RFOutput Power(Typical)	802.11b: up to 25 ± 1 dBm
	802.11g: up to 20 ± 1 dBm
	802.11n: up to 19 ± 1 dBm
Data Rate	802.11b: 11, 5.5, 2 and 1 Mbps with auto-rate fall back
	802.11g: 54, 48, 36, 24, 18, 12, 9 & 6Mbps
	802.11n(20MHz): up to 72Mbps
Size	802.11n(40MHz): up to 150Mbps
Weight	L241x W90XH33mm
Operation Voltage	500g
	5V

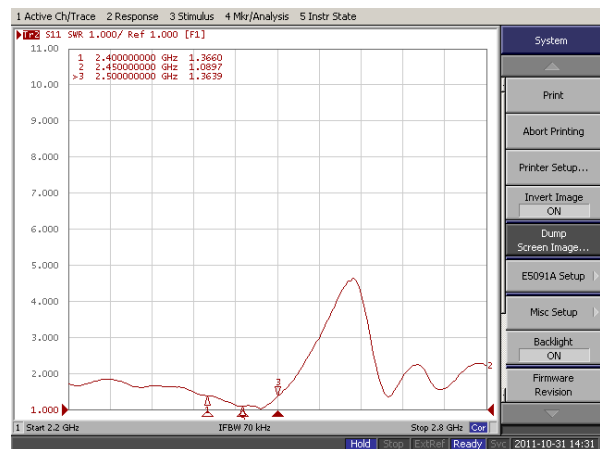
All copyrights reserved All copyrights reserved All copyrights reserved All copyrights reserved

Category	Item	Description
General	Standards	IEEE 802.11b/g/n
	Data Rate	802.11b: 11, 5.5, 2 and 1 Mbps with auto-rate fall back 802.11g: 54, 48, 36, 24, 18, 12, 9 & 6Mbps 802.11n(20MHz): up to 72Mbps 802.11n(40MHz): up to 150Mbps
	OS Supported	Windows® 2000, Windows® XP 32/64, Windows® Vista 32/64, Windows® Win7 32/64
Hardware	Chipset	RT3070
	Frequency Range	2412~2462 MHz (North America) 2412~2472 MHz (General Europe) 2412~2484 MHz (Japan)
	Channel	1~11 channels (North America) 1~13 channels (General Europe) 1~14 channels (Japan)
	Frequency Stability	2.400GHz ~ 2.484GHz
	Sensitivity	-95dBm @ 802.11b -92dBm @ 802.11g -92dBm @ 802.11n
	Power	Voltage: 5V+5%
	Security	64/128bitWEP WPA(TKIP with IEEE 802.1x) WPA2(AES with IEEE 802.1x) WPA Mixed
Environment Spec	Operating Temp	0°C ~ +60°C
	Storage	-20°C ~ 70°C ambient temperature
	Humidity	10% ~ 90% (Non-condensing)

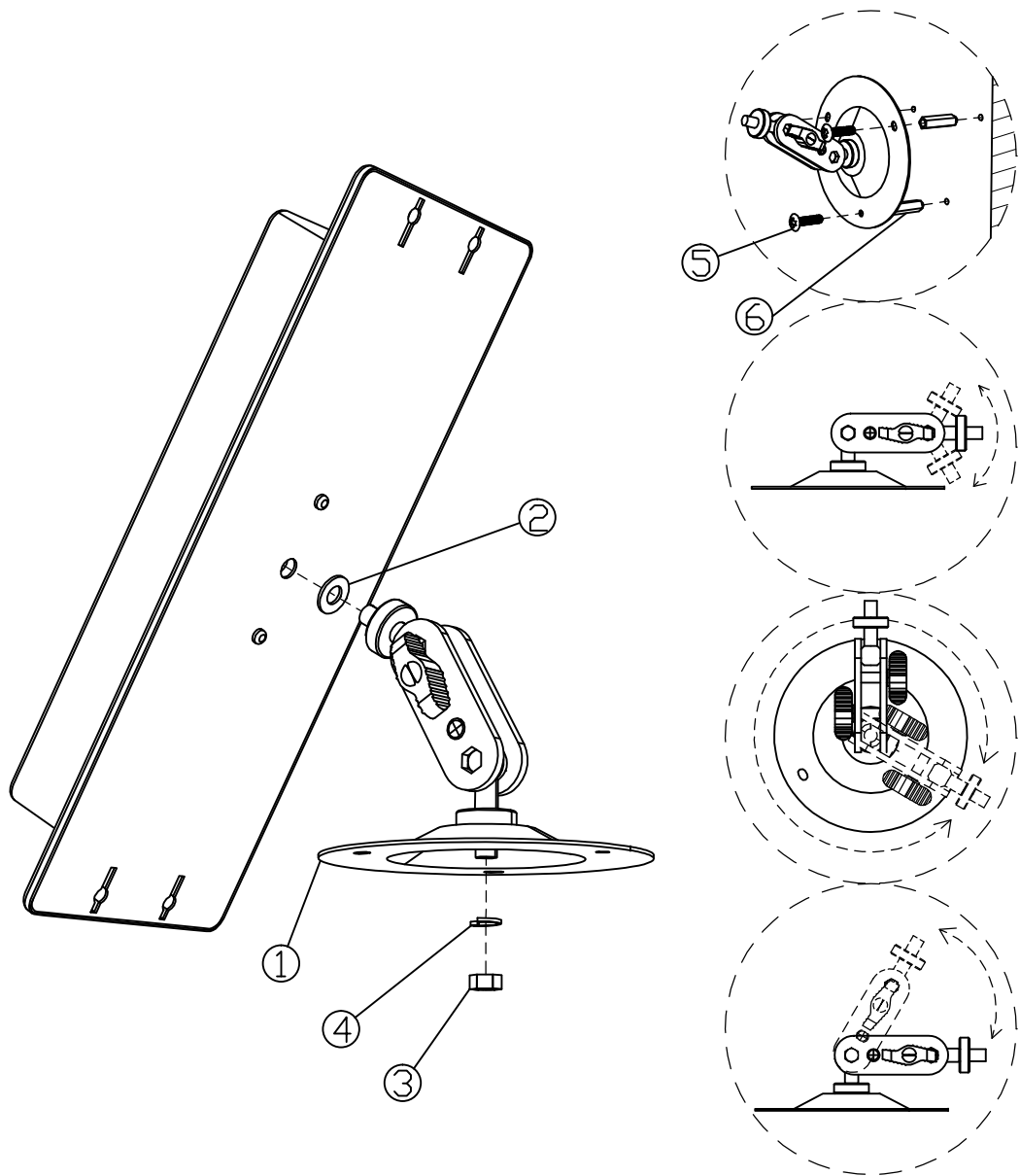
Return Loss




V.S.W.R



2.4GHz USB PANEL Antenna



ACCESSORIES

- | | | | | | |
|---|---|--------|---|---|--------|
| ① |  | * 1 PC | ② |  | * 1 PC |
| ③ |  | * 1 PC | ④ |  | * 1 PC |
| ⑤ |  | * 3 PC | ⑥ |  | * 3 PC |