

BRACKET | BRKT-037-V2-01

BRKT-037-V2-01

HEAVY DUTY MARINE FLAT MOUNT ANTENNA BRACKET 1"-14T 316S/S
(WITH RUBBER SEAL)



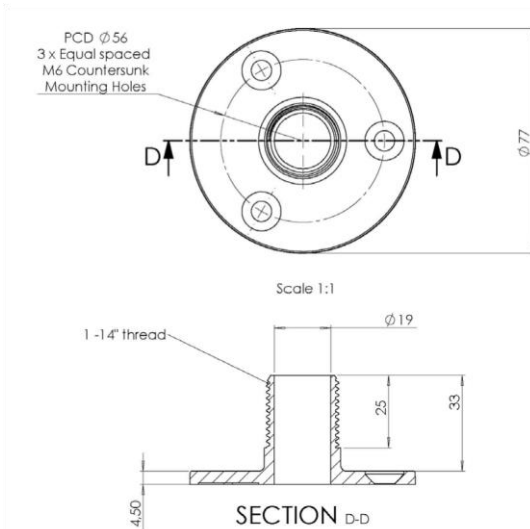
Ordering Information

Commercial name: BRKT-037-V2-01
Order Product Code: A-BRKT-037-V2-01
EAN Number: 6009880915743

Mechanical Specifications

Product Dimensions (Dxh): $\varnothing 77 \times 37.5\text{mm}$
Packaged Dimensions: 150 x 120 x 120mm
Weight: 0.180kg
Packaged Weight: 0.297kg
Antenna mounting thread: Standard 1" x 14 threads
 $\varnothing 56\text{mm}$ equally spaced
Mounting hole: M6 countersunk
Material: 316 Grade Stainless steel mount

Product Drawing



Product Box Contents

Product: A-BRKT-037-V2-01
Mounting: Deck or side mounting

Certification Approvals and Standards

Flammability rating: UL:1581
IK Code: IK08
Product Safety: Complies with UL, CE, EN, CSA and IEC standards



Contact Poynting

Poynting Antennas (Pty) Ltd - Head Office
Unit 4, N1 Industrial Park
Landmarks Avenue,
Samrand, 0157
South Africa

Poynting Europe
Regus Business Center Neue Messe Riem
Kronstadter Straße 4
81677 München
Germany

Phone: +27 (0) 12 657 0050
E-mail: sales@poynting.co.za

Phone: +49 89 208026538
E-mail: sales-europe@poynting.tech

BRKT-037

©2019 Poynting Antennas (Pty) Ltd. All rights reserved.
Product Specifications may change without prior notice
Revised: August 2019

Regulatory Compliance: RoHS 2011/65/EU Compliant | ISO 9001:2015
Document version: TS-A-BRKT-037-V2-01 REV1
www.poynting.tech