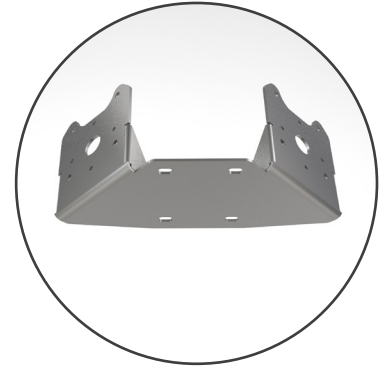
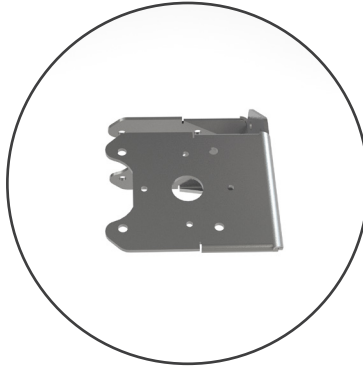


BRACKET | BRKT-033

BRKT-033

±45° POLARIZATION BRACKET FOR LPDA-92 AND OMNI-69



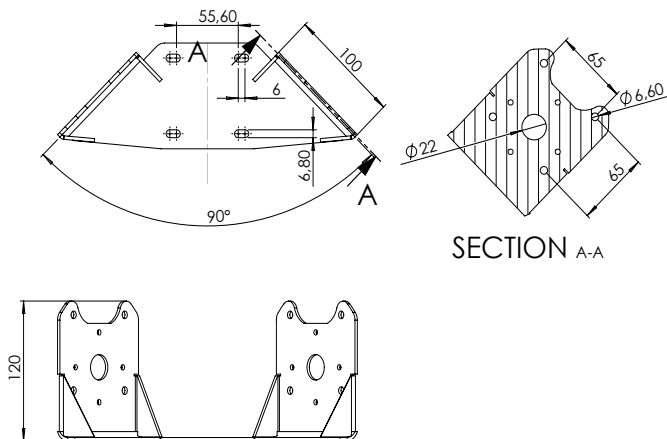
Ordering Information

Commercial name: BRKT-033
 Order Product Code: A-BRKT-033
 EAN Number: 0707273469359

Mechanical Specifications

Product Dimensions (LxW): 414 x 166mm
 Packaged Dimensions (Polybag): 425 x 175mm
 Weight: 0.990kg
 Packaged Weight: 1.005kg
 Material: 3mm 3CR12
 Process: Laser cut, bend & weld
 Surface finish: Brushed

Product Drawing



Product Box Contents

Product: A-BRKT-033
 M6 Washers (SS): 16
 M6 Nuts (SS): 8
 M6 x 30 Hexagonal Bolts (SS): 8

Certification Approvals and Standards

Flammability rating: UL:1581
 Salt spray: MIL-STD810F/ASTM B117
 Product Safety: Complies with UL, CE, EN, CSA and IEC standards

Contact Poynting

Poynting Antennas (Pty) Ltd - Head Office

Unit 4, N1 Industrial Park
 Landmarks Avenue,
 Samrand, 0157
 South Africa

Phone: +27 (0) 12 657 0050
E-mail: sales@poynting.co.za

Poynting Europe

Regus Business Center Neue Messe Riem
 Kronstadter Straße 4
 81677 München
 Germany

Phone: +49 89 208026538
E-mail: sales-europe@poynting.tech

