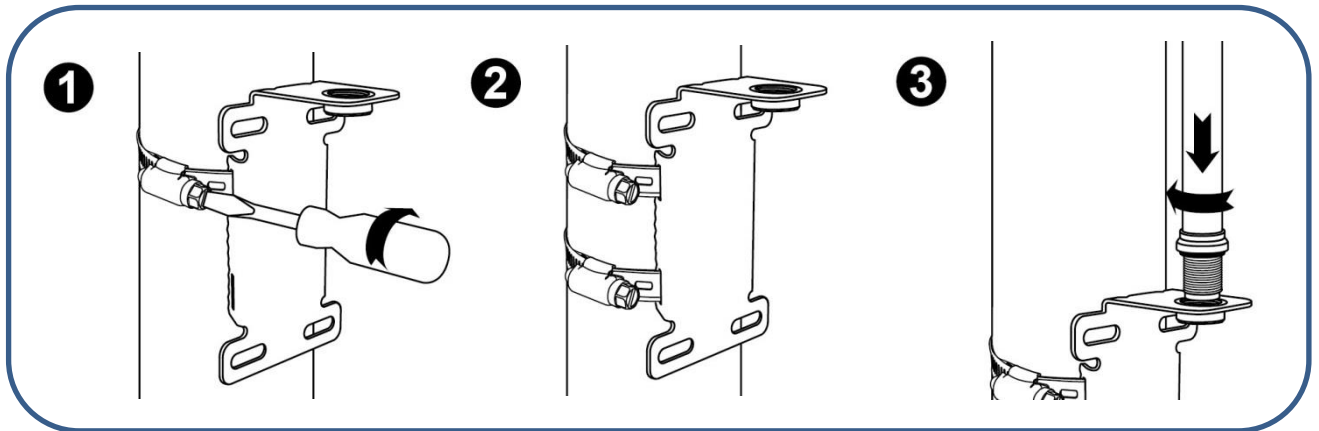


Specifications

Frequency Range	2400 - 2500MHz	Length	570mm
V.S.W.R	< 2.0:1	Weight	285g
Radiation	Omni	Mount Style	Pole / Wall mount
Gain	9dBi	Material	Antenna: Fiberglass Mount: Stainless Steel
Polarization	Vertical	Storage Temperature	-40 to 80°C
Maximum Power	50 Watts	Operating Temperature	-40 to 60°C
Impedance	50Ω	Storage Humidity	10% - 90%
Connector	N Female		

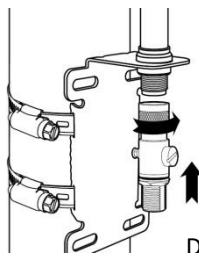
Installation Guide



Recommend Related Product



Lightning Protector



Direct mount