

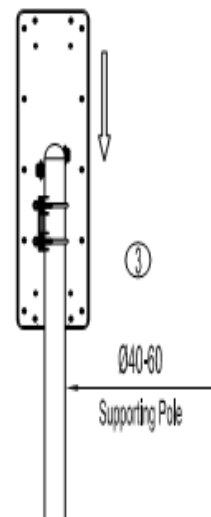
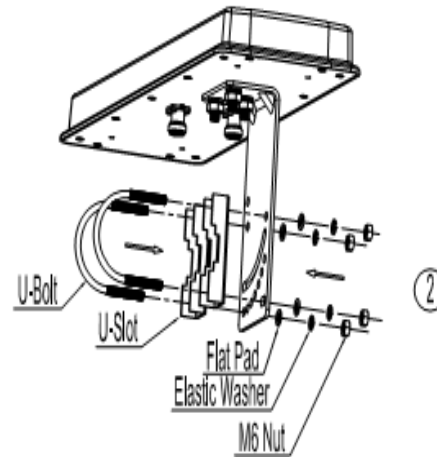
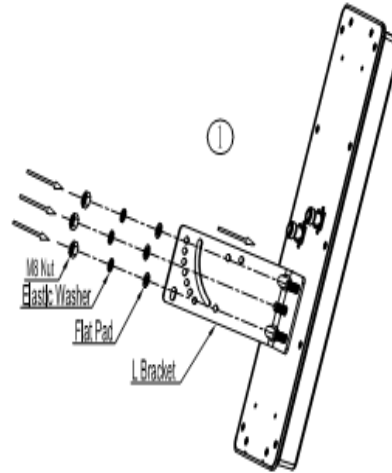
ANT-JHS-5159-18D60A

ANT-JHS-5159-18D60A is wide-band, dual polarized 60 degree sector antenna which frequency covers from 5.15-5.85 GHz.

It is designed for WiMAX/broadband wireless applications with uniform energy distribution in coverage area.



Mounting Diagram



- Designed for WiMAX/broadband Wireless
- IP66 Waterproof Level
- UV Protected and Durable White ABS Radome
- Stainless L Type Bracket , U-Slot and U-Bolt
- RoHS Compliant

Electrical Specifications

Model	ANT-JHS-5159-18D60A
Frequency Range	5150-5850 MHz
Gain	18 dBi
VSWR	≤1.8
3dB Beam-Width, H-Plane	60°
3dB Beam-Width, E-Plane	7°
Polarization	Vertical & Horizontal
Front to Back Ratio	>25dB
Port to Port Isolation	>30 dB
Maximum Input Power	100 Watt
Impedance	50 Ω
Lightning Protection	DC Grounded

Mechanical Specifications

Connector	2 × N Female
Antenna Dimension	450×140×35 mm
Weight	1.26 KG
Radome Material	UV Protected ABS
Mounting Mast Diameter	Ø40~Ø60 mm
Operating Temperature	-40° C to +65° C
Rated Wind Velocity	216 Km/h