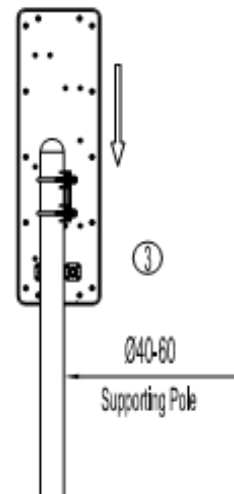
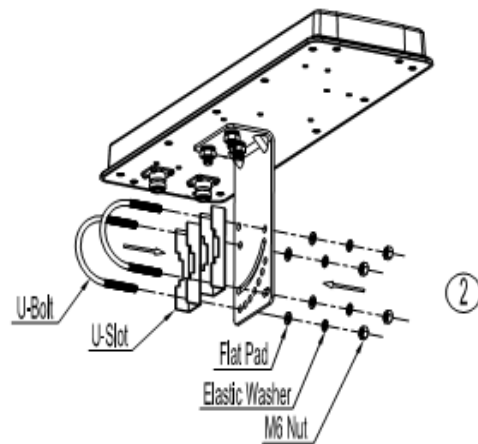
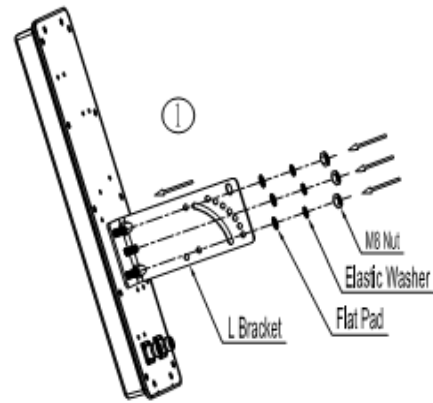


ANT-JHS-5159-16D90A

ANT-JHS-5159-16D90A is $\pm 90^\circ$ dual polarization ABS sector antenna in the 5.1-5.85GHz, applied to 5GHz WiFi / WiMAX signal coverage, Supports IEEE802.11b/g and 802.16d protocol, it has small dimension, light weight, high gain features.



Mounting Diagram



- Wide 90° Horizontal Beamwidth
- IP66 Waterproof Level
- UV Protected ABS Radome
- RoHS Compliant

Electrical Specifications

| | |
|-------------------------|-------------------------------|
| Model | ANT-JHS-5159-16D90A |
| Frequency Range | 5150-5850 MHz |
| Gain | (V Port)16 dBi (H Port)15 dBi |
| VSWR | ≤ 1.8 |
| 3dB Beam-Width, H-Plane | 90° |
| 3dB Beam-Width, E-Plane | 9° |
| Polarization | Vertical & Horizontal |
| Front to Back Ratio | >30 dB |
| Port to Port Isolation | >30 dB |
| Maximum Input Power | 100 Watt |
| Impedance | 50Ω |
| Lightning Protection | DC Grounded |

Mechanical Specifications

| | |
|------------------------|--|
| Connector | $2 \times N$ Female |
| Antenna Dimension | $450 \times 140 \times 35$ mm |
| Weight | 1.26 KG |
| Radome Material | UV Protected ABS |
| Mounting Mast Diameter | $\varnothing 40 \sim \varnothing 60$ mm |
| Operating Temperature | -40°C to $+65^\circ \text{C}$ |
| Rated Wind Velocity | 216 Km/h |