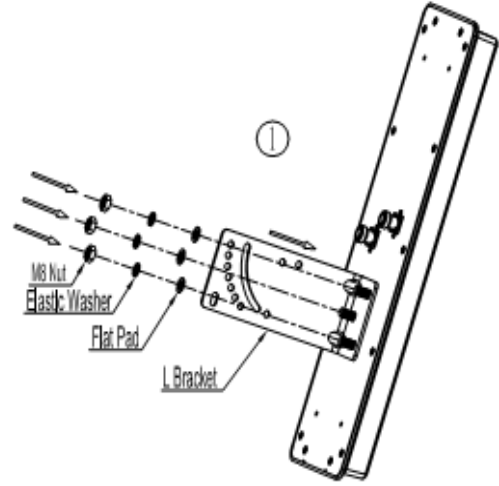


ANT-JHS-4959-17D65AS

ANT-JHS-4959-17D65AS is wide-band, dual-slant polarized 65 degree sector antenna which frequency covers from 4.9-5.85 GHz. It is designed for WiMAX/broadband wireless applications with uniform energy distribution in coverage area.



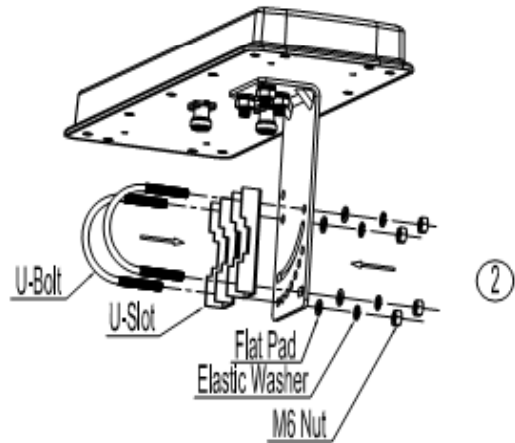
Mounting Diagram



- Designed for WiMAX/broadband Wireless
- IP66 Waterproof Level
- UV Protected and Durable White ABS Radome
- Stainless L Type Bracket , U-Slot and U-Bolt
- RoHS Compliant

Electrical Specifications

Model	ANT-JHS-4959-17D65AS		
Frequency Range(MHz)	4900-5150	5150-5470	5470-5850
Gain	17 dBi	16.9 dBi	17.6 dBi
VSWR	≤ 1.5		
3dB Beam-Width, H-Plane	65°		
3dB Beam-Width, E-Plane	14°		
Polarization	Dual Slant ±45°		
Upper Side Lobes	>28 dB		
Front to Back Ratio	>28 dB		
Port to Port Isolation	>13 dB		
Maximum Input Power	100 Watt		
Impedance	50 Ω		
Lightning Protection	DC Grounded		



Mechanical Specifications

Connector	2 × N Female
Antenna Dimension	450×140×35 mm
Weight	1.26 KG
Radome Material	UV Protected ABS
Mounting Mast Diameter	Ø40~Ø60 mm
Operating Temperature	-40° C to +65° C
Rated Wind Velocity	216 Km/h

