

**WTH-SG/RJ45-S**  
**Surge Protective Device for Ethernet & PoE**

**Description**

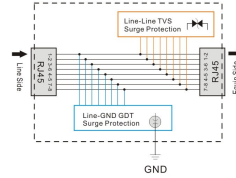
WTH-SG/RJ45-S surge protective devices are applied to surge protection for data communication systems. WTH-SG/RJ45-S is connected in series in CAT6 network cables, compatible with 10/100/1000/10000 (10G) Base-T Ethernet systems, protecting the equipment which are connected to the network (e.g. computers, routers, PoE devices, etc.) against damages by over-voltage surge.  
 (Standards compliance: IEC 61000-4-5: Lighting @ 8/20us, IEC61643-21, UL497B, IEEE 802.3af PoE/802.3 at PoE Plus)

**Technical Data**

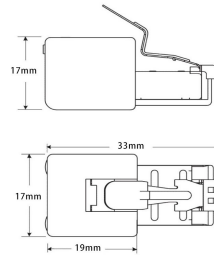
Model	WTH-SG/RJ45-S
Ordering code	US121101
Nominal operating voltage (Un)	5V
Max. continuous operating voltage (UC)	8V
Total Discharge Current (Imax @8/20µs)	0.3kA x 8 (line to GND)
Voltage protection level (Up @Line-GND)	45V @ 0.3kV (1.2/50)
Data Rate	100/1000Mbps
Bandwidth (2db) per pair	>250MHz
Insertion Loss	<0.2dB @100MHz
Pairs Protected	1-2,3-6,4-5,7-8
Protective Element	GDT, TVS
Response Time (tA)	<100ns (line-GND), <1ns (line-line)
Connection mode	Male RJ45 / Female RJ45
Temperature Range	-40° to 176°F (-40° to 80°C)
Relative Humidity	0% to 95% noncondensing
Maximum Operating Altitude	10,000 feet (3000m)
Net Weight Per Unit	5g
Package Dimension (WxDxH)	1.3"x0.7"x0.7" (33mmx17mmx17mm)



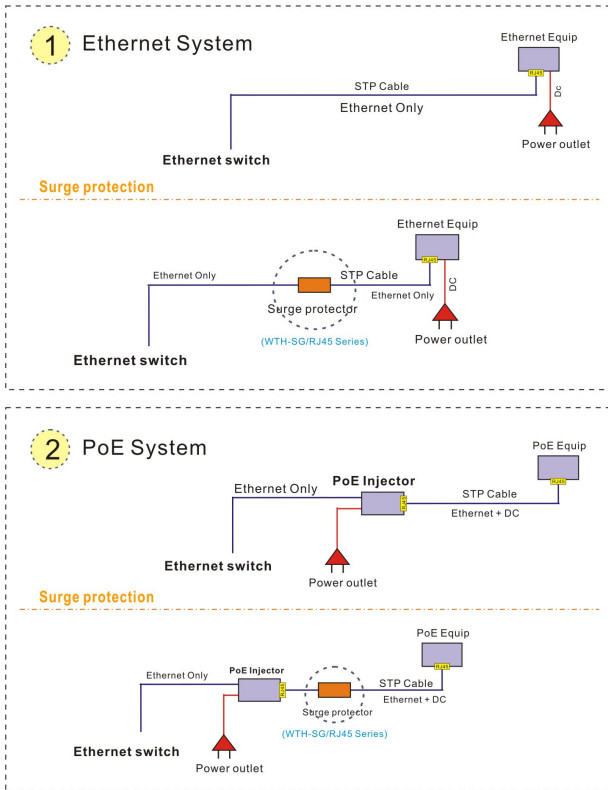
**Connection Diagram**



**Dimensions**



Application



**Solwise Ltd**

sales@solwise.co.uk  
 01482 672872  
 www.solwise.co.uk

support@solwise.co.uk  
 01482 644934