

WTH-SG/RJ45-KG
Surge Protective Device for Ethernet & PoE

Paperless Datasheet

Going green and protecting environment is manufacturers' responsibility. WatchfulEye products have the links of downloading data sheet on its enclosure:
<http://datasheet.watchfuleyesolutions.com/US121104.html>

Description

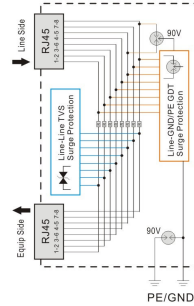
WTH-SG/RJ45 Series surge protective devices are applied to surge protection for data communication systems. WTH-SG/RJ45-KG is connected in series in CAT6 network cables, compatible with 10/100/1000/10000 (10G) Base-T Ethernet systems, protecting the equipment which are connected to the network (e.g. computers, routers, PoE devices, etc.) against damages by over-voltage surge.
 (Standards compliance: IEC61643-21, UL497B, IEEE 802.3af PoE/802.3 at PoE Plus)

Technical Data

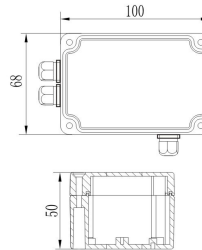
Model	WTH-SG/RJ45-KG
Ordering code	US121104
Nominal operating voltage (Un)	2.8V(Ethernet)/48V(PoE)
Max. continuous operating voltage (UC)	3V(Ethernet)/60V(PoE)
Nominal Discharge Current (In @8/20µs)	3kA (line to line)
Max. Discharge Current (Imax @8/20µs)	20kA (line to GND/PE)
Voltage protection level (Up @line-line)	50V @ 3kV (1.2/50)
Voltage protection level (Up @line-GND/PE)	700/800V @ 3kV (1.2/50)
Max Line Current	600mA (PoE)
Data Rate	100/1000Mbps
Bandwidth (3db) per pair	>250MHz
Insertion Loss	<0.5dB @100MHz
Line-GND/PE Protected	8-line Protection
Pairs Protected	1-2, 3-6, 4-5, 7-8
Protective Element	GDT (line-GND/PE), TVS (line-line)
Voltage Breakdown Range, Vdc @ 100 V/s	2.4-188 (L-L) / 72-108(L-G)
Impulse Voltage Range, Vdc @ 100 V/µs	<1000
Line 5-8 Protected	YES
Response Time (tA)	<100ns (line-GND/PE), <1ns (line-line)
Connection mode	RJ45
Temperature Range	- 40 ° to 176 °F (-40 ° to 80 °C)
Relative Humidity	0% to 95% noncondensing
Maximum Operating Altitude	10,000 feet (3000m)
Protection Rating (IP Code)	IP 65
Surge Life at 0.5kA (8/20µs)	>2000 events
Housing Material	Thermoplastic, UL94 V-0
Net Weight Per Unit	0.36Lb (163g)
Product Dimension (WxHxD)	4.9" x 3.5" x 2.0" (122mm x 89mm x 50mm)



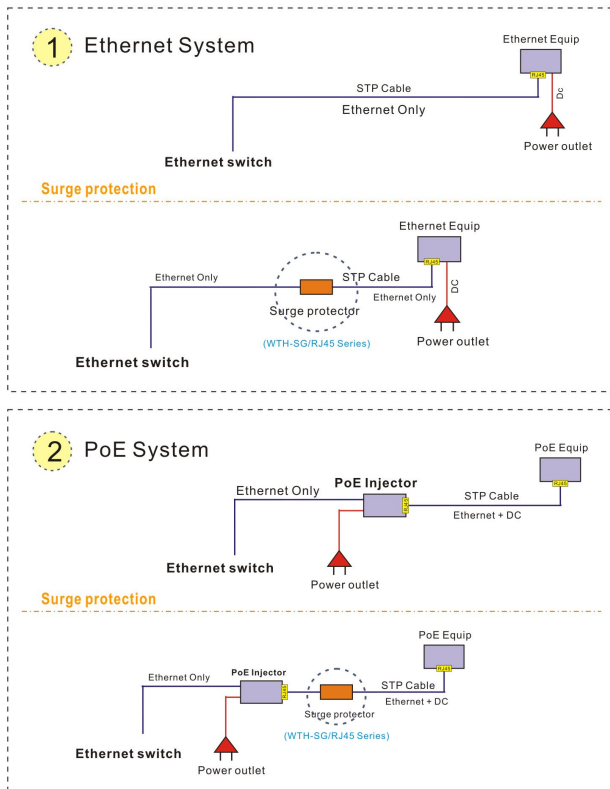
Connection Diagram



Dimensions



Application



Solwise Ltd

sales@solwise.co.uk
01482 672872
www.solwise.co.uk

support@solwise.co.uk
01482 644934