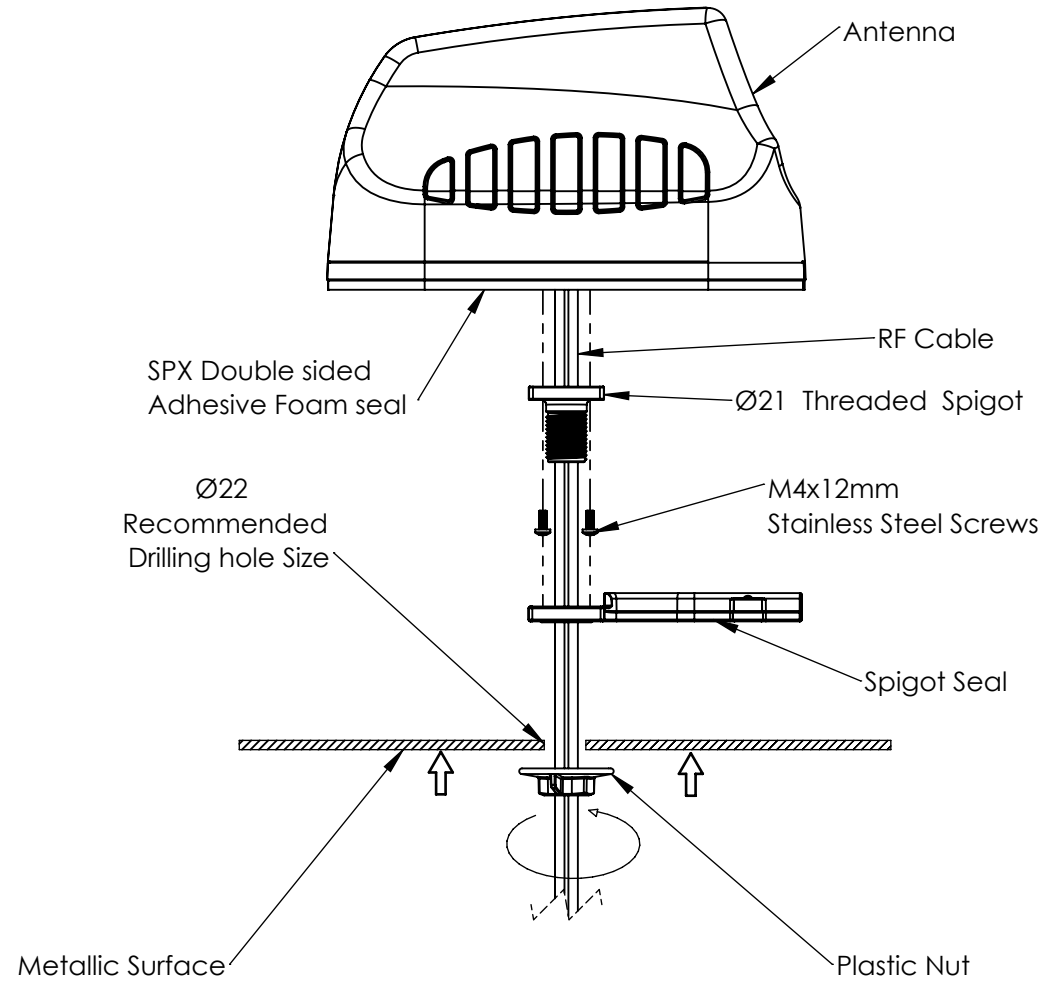


Spigot mounting Detail



All dimensions in mm unless otherwise stated

Version	Date	Description	ECP no
1.0	31/10/17	Initial Release	

THIS DOCUMENT MUST NOT BE USED FOR ANY PURPOSE OTHER THAN THAT FOR WHICH IT WAS SUPPLIED. UNAUTHORISED COPYING OR REDISTRIBUTION IS STRICTLY PROHIBITED.		
Approved By	Signature	Date

Title:	Part no:	Author:

Part/Assembly Version: 1.0
Drawing Version: 1.0