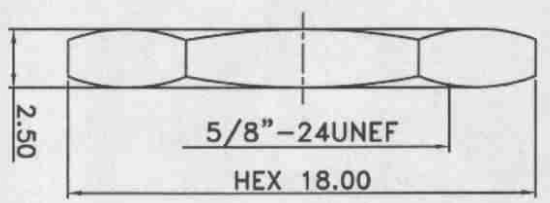
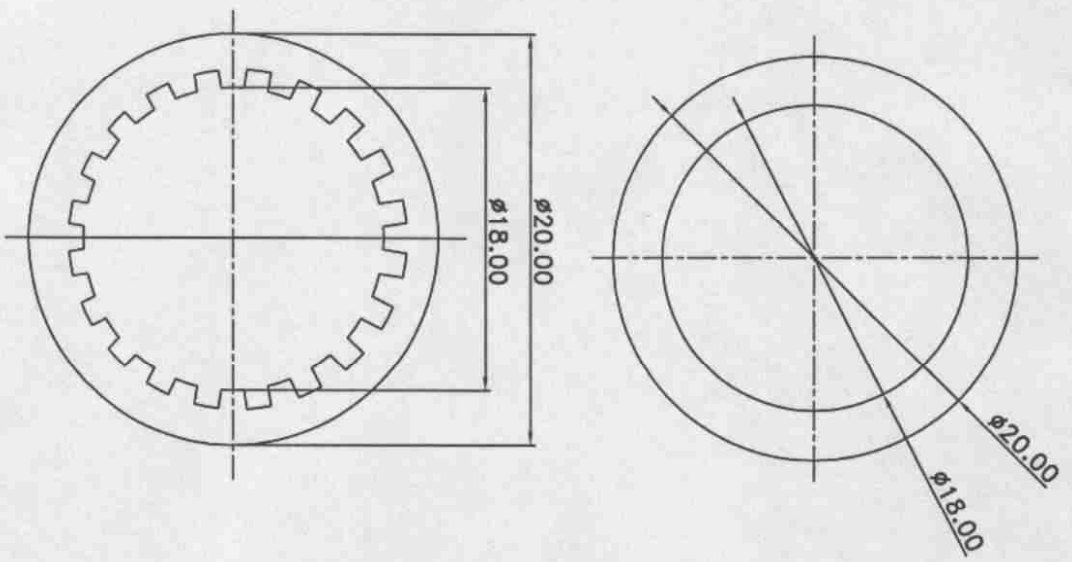
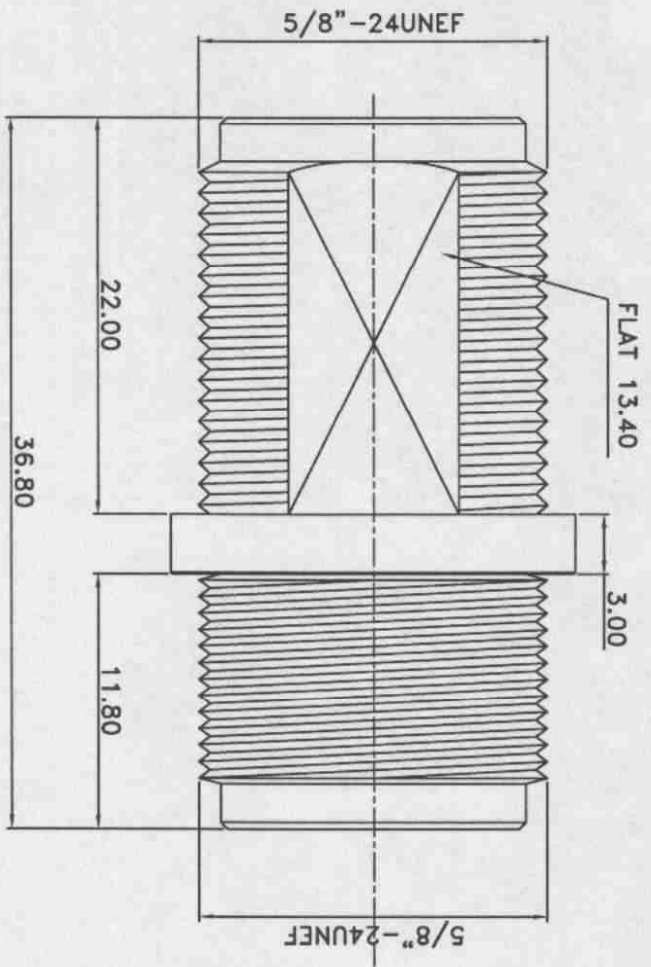


REV	DESCRIPTION	DRAWN	DATE



NO	Description	Qty	Material	Finish	UNLESS OTHERWISE SPECIFIED	* MAJOR DIMENSION	APPROVED	TITLE
4	O-RING	1	sl-rubber	BLACK	1. REMOVE ALL BURRS, 2. BREAK ALL CORNERS & EDGES CO.15 MAX. 3. CHAMFER 1ST & LAST THREADS 45°. 4. DIAMETERS ON COMMON CENTERS. 5. ALL DIMENSIONS ARE AFTER PLATING.	UNLESS OTHERWISE NOTED TOLERANCES 0.5-6=±0.2 6-30=±0.4 30-120=±0.6 120-315=±1.0 ANGLES=±1.0	CHECKED	N DOUBLE FEMALE BULKHEAD
3	DIELECTRIC	2	TEFLON	NONE			DRAWN	DRAWING NO. N-1130-4-TGN
2	PIN	1	BRASS	GOLD			CHAI	REV A
1	BODY	1	BRASS	NICKEL				GL

SCALE	3/1	UNIT	MM	DRAWN DATE	06/07/20	FILE NO.	D:\DWG\N DOUBLE FEMALE BULKHEAD\N-1130-4-TGN
-------	-----	------	----	------------	----------	----------	--