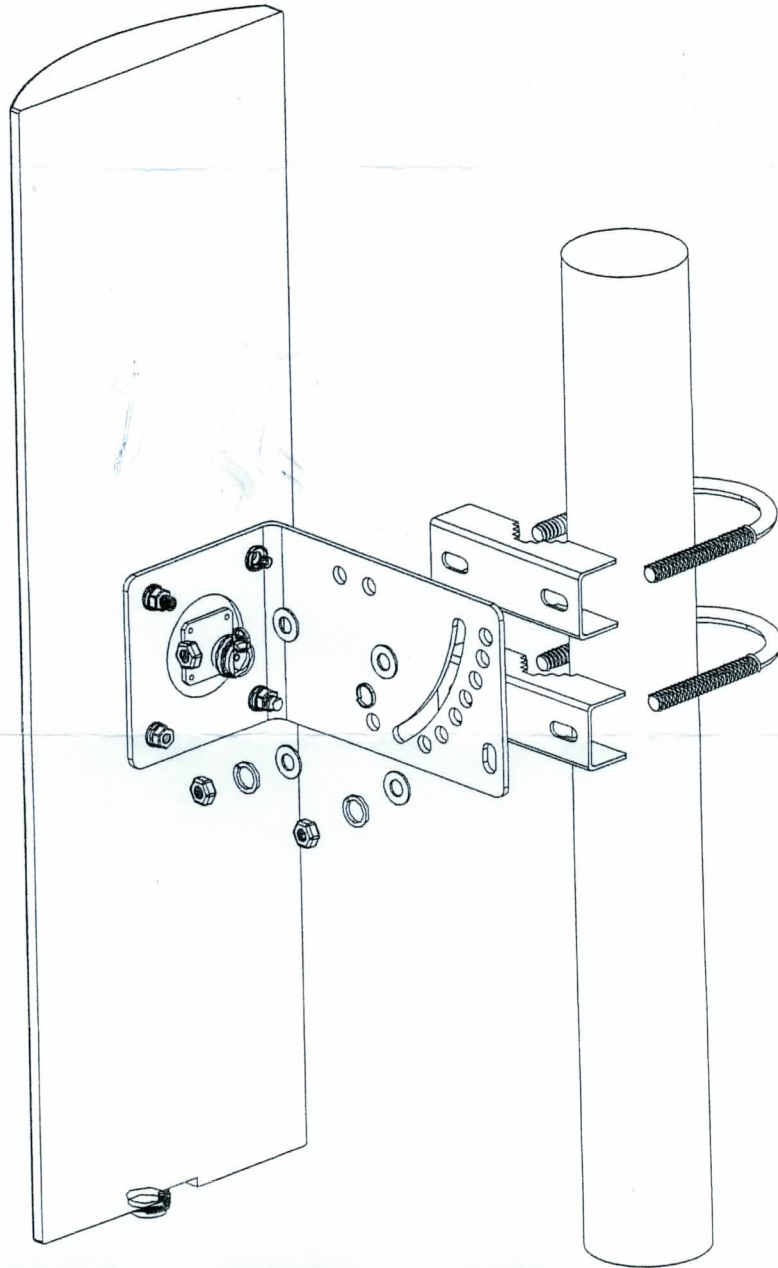


2.4GHz RF HI-GAIN ANTENNA

ITEM NO.:PA-2450-16



SPECIFICATION

- Frequency: 2450~2500 MHz
- Max gain: 16dBI
- Connector: N female
- Max input power: $\leq 50W$
- Wave impedance: 50 ohm
- Dimensions: 454x134x30 mm
- Weight: 0.8 kg
- For Image/ Data/ Voice communications and Wireless LAN system