

Aluminium Enclosure

For outdoor use

Product code: WLAN-A0035



The WLAN-A0035 aluminium enclosure provides an easy and flexible way of securing electronics of a variety of types, e.g. WiFi, WiMax, in an outdoor environment close to the receiving and transmitting antennas, so minimising the power loss in RF cabling.

The WLAN-A0035 comes standard with a cable gland suitable for cables from 7mm to 4mm diameter , a RJ45 connector gland for CAT5 with two additional holes are provided to allow N(f) bulkhead connectors to emerge from inside the enclosure. A variety of N(f) bulkhead cable assemblies are available and can be purchased separately (e.g. N(f)-to-U.FL).

This product comes out standard with a universal electronics pillar mounting kit to allow flexibility in securing a variety of electronics types. For easier and more routine mounting, standard mounting adaptor plates for common electronics types are available separately, and we will happily design and provide custom mounting adaptor plates for your specific needs for orders of more than 50 units.

Features:

- Secure watertight, weatherproof enclosure
- Aluminium for easy grounding and strength
- RJ45 connector gland
- Two x 16mm holes (plugged) for N type connector cable assemblies (available separately)

Application:

WiFi and WiMax outdoor solutions

Specifications:

Product Code:

Product Code WLAN-A0035

2x16mm holes & 1x21mm hole+ RG45 connector gland

Electrical:

Max electronics dimension (lxbxh) 205x180x50mm

Environmental:

Wind Loading 160 km/h
 Temperature Range - 20° C to +70° C
 Shock 40G at 10 msec
 Thermal Shock - 20° C to +70° C : 10 cycles
 Water Ingress Rating IP66 (NEMA 4X)

Mechanical:

Dimensions (l x w x d) 254 mm x 225 mm x 72 mm
 Weight 1.9 kg
 Mounting Stainless steel brackets for up to 50mm mast

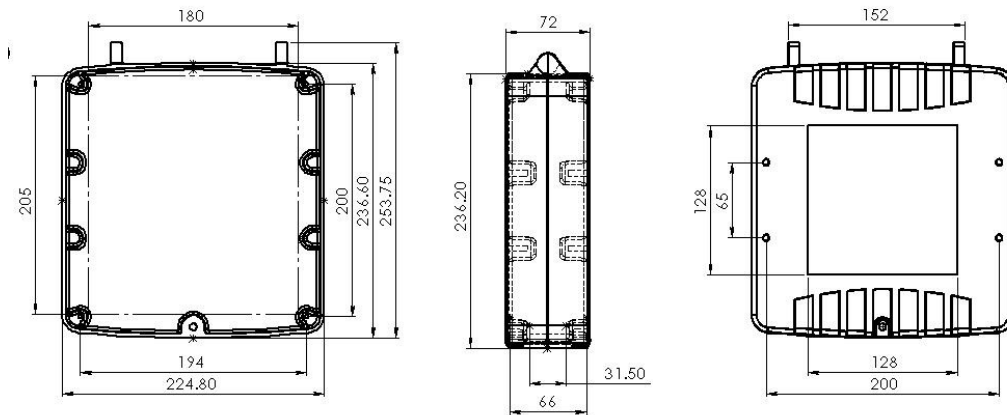


Figure 1: Enclosure Dimensions

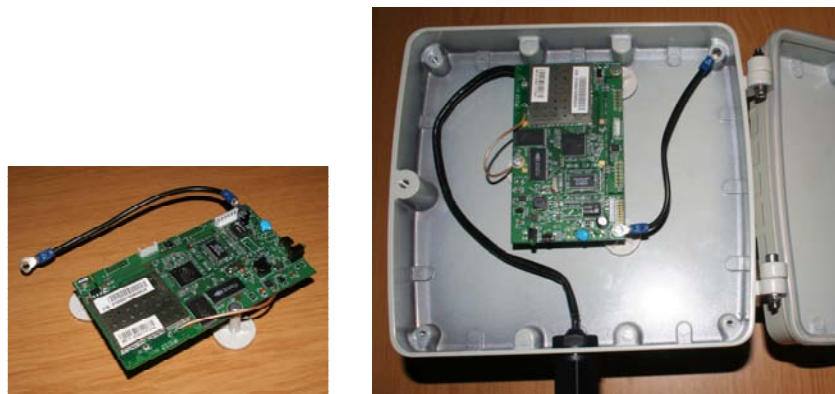


Figure 2: Electronics card installation (card not supplied)