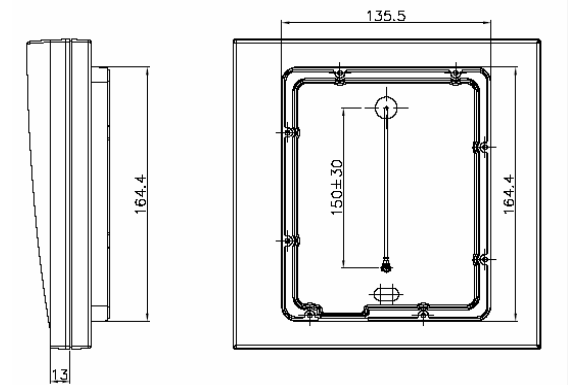
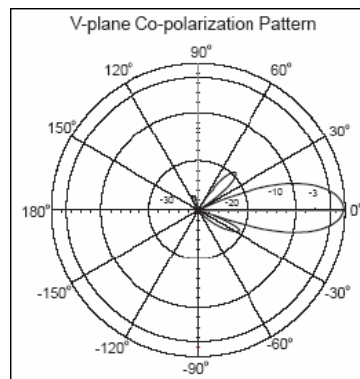
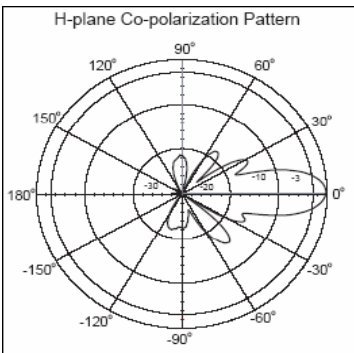
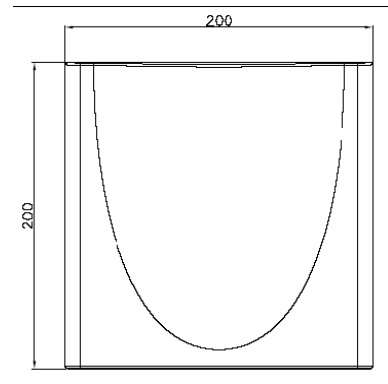


# EOC-8610 Plus integrated Antenna product specification

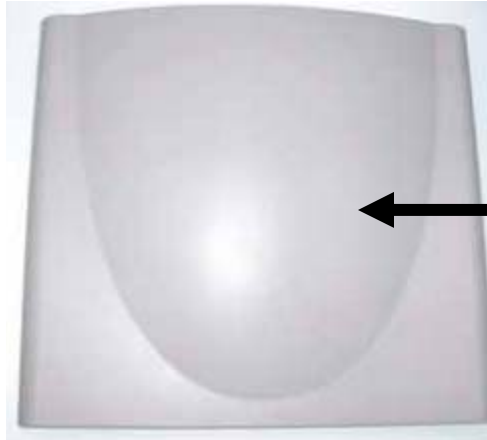
## Specifications

<b>Frequency range</b>	5250 MHz – 5875 MHz
<b>Gain</b>	16 dBi
<b>VSWR</b>	2.0 : 1 Max.
<b>Polarization</b>	Linear, vertical
<b>HPBW / horizontal</b>	18°
<b>HPBW / vertical</b>	18°
<b>Front to back ratio</b>	25 dB
<b>Power handling</b>	10W (cw)
<b>Impedance</b>	50 Ω
<b>Survival wind speed</b>	216 km/hr
<b>Temperature</b>	-40°C to +80°C
<b>Humidity</b>	95% @ 55°C
<b>Lightning protection</b>	DC ground
<b>Radome color</b>	Worm gray
<b>Radome material</b>	ABS, UV resistant
<b>Dimensions</b>	200 × 200 × 53.6 mm



## Reference guide

RF connector (SMA) for connection to external 2.4GHz Antenna.



16dBi Antenna position

