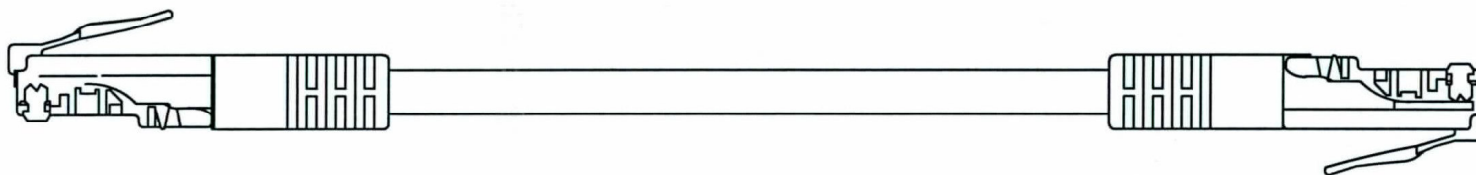
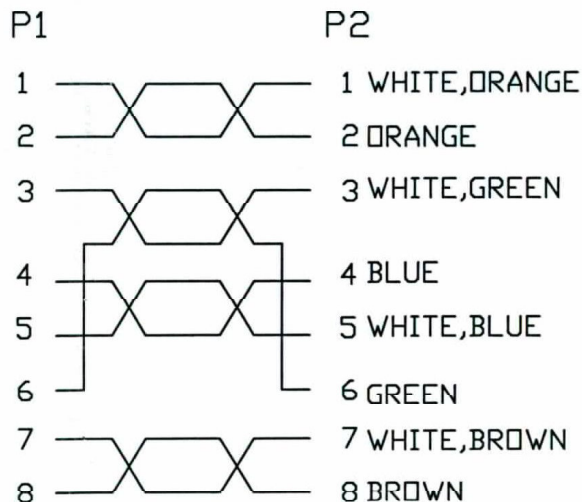


P1

P2



PIN ASSEMBLY



NETPATCH1	Q284-015-240_1M	1000±30
NETPATCH2	Q284-015-240_2M	2000±30
NETPATCH3	Q284-015-240_3M	3000±50
NETPATCH5	Q284-015-240_5M	5000±50
NETPATCH15	Q284-015-240_15M	15000±50
NETPATCH20	Q284-015-240_20M	20000±50

NOTES:

- 1.CABLE: CAT5E STP COLOR:GREY
- 2.RJ45 PLUG PLATED 3u"
- 3.PVC MOLDED GREY COLOR

UNLESS OTHERWISE SPECIFIED TOLERANCE		
ANG.	±5°	
0.	±0.5	
.0	±0.3	
.00	±0.2	
SCALE: NONE	UNIT: mm	
DRAWN SHIGANG	08/03/03	DRAWN NAME: 利優Q284-015-240_L
CHECKED Eric	08/03/03	
APPROVED	/ /	PRODUCT NO.
	SIZE A4	REV. A
		FILE NAME:

A	CABLE: RJ45 PLUG*2 L	08/03/03
REV.	DESCRIPTION	DATE