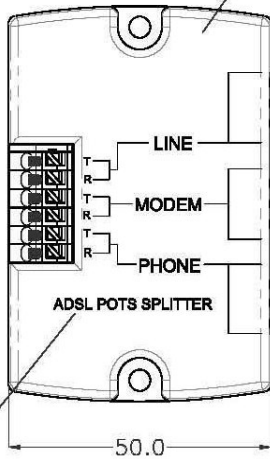


PCB IDC

PLASTIC MATERIAL:ABS
PLASTIC COLOUR:WHITE(#W13)



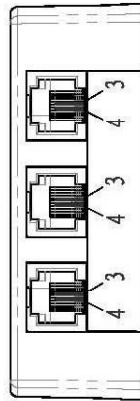
BLACK PRINTING

50.0

US JACK1
6P2C

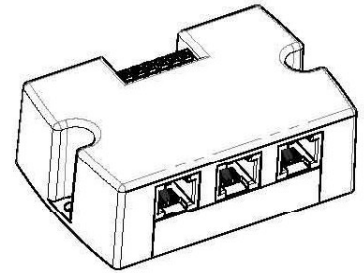
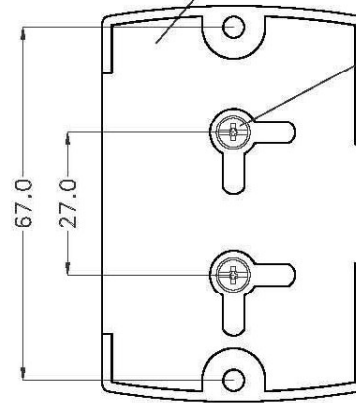
US JACK2
6P2C

US JACK3
6P2C



PLASTIC MATERIAL:ABS
PLASTIC COLOUR:WHITE(#W13)

SCREW: B4X16

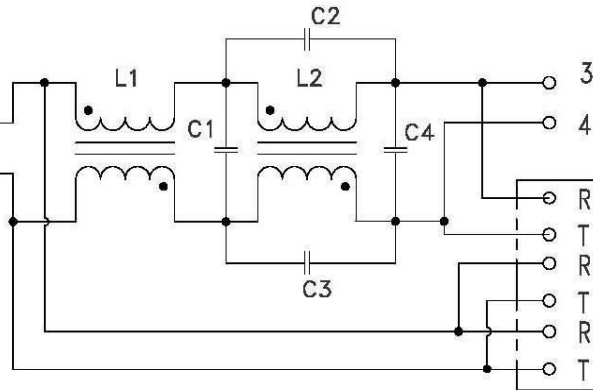


SCREW: B6X12.5



US JACK1
6P2C
LINE
US JACK2
6P2C
MODEM

3
4
3
4



3 US JACK3
6P2C
4 PHONE

R PHONE

T PHONE

R MODEM 6PIN IDC

T MODEM 6PIN IDC

R LINE

T LINE